

NOTES:

- CUSTOMER DRAWING NUMBERS CONSIST OF: (ORDER NUMBER)-(STANDARD DRAWING NUMBER), AND ARE REFERENCED AS X-(STANDARD DRAWING NUMBER), WHERE X = ORDER NUMBER.
- THE WIRE SIZE SHOWN IS ESTIMATED MINIMUM SIZE BASED ON COOPER CONDUCTORS TYPE THW OR RHW INSULATION, OR EQUIVALENT, AND A LENGTH OF 328 FT [100 M]. ALL WIRE SHALL BE TWISTED STRANDED TYPE, SHIELDED (AS APPLICABLE), IN ACCORDANCE WITH THIS SCHEDULE.
- THE CUSTOMER IS ADVISED TO MAKE ALLOWANCES TO LIMIT THE VOLTAGE DROPS TO 5% MAXIMUM, UNLESS OTHERWISE INDICATED.
- CUSTOMER IS ADVISED TO PULL A MINIMUM OF 10% EXTRA WIRING FOR SPARES. ALL SPARE CONDUCTORS MUST BE GROUNDED ON BOTH ENDS.
- ALL WIRES TO BE LABELED AT EACH TERMINATION WITH A SLEEVE TYPE WIRE MARKERS.
- BREAKDOWN OF BLOCK IDENTIFICATION:
 - CABLE ID./RACEWAY NO.
 - AC03/617
 - 12 AWG/4
 - WIRE SIZE/NO. OF CONDUCTORS
- ALL CABLES, CABLE GLANDS & RACEWAYS ARE FURNISHED BY OTHERS, UNLESS OTHERWISE INDICATED. ALL CABLES AND CABLE GLANDS SHALL MEET THE IP/NEMA RATING OF THE TERMINATION BOX AND PANELS. A RACEWAY IS AN ENCLOSED CHANNEL DESIGNED TO HOLD CABLES, WIRES, BUS-BARS. RACEWAY SHOULD BE METALLIC OR NON METALLIC MATERIAL AND CAN BE CONDUIT, CABLE TRAY, FLEXIBLE CONDUIT, UNDER GROUND DUCT. RACEWAYS THAT ARE METALLIC SHOULD BE BONDED THROUGH THEIR PERIMETER AND GROUNDED AT BOTH ENDS, AS A MINIMUM.
- NOT USED.
- CABLES WITH THE SAME RACEWAY NUMBER AND SAME VOLTS MAY BE RUN IN THE SAME MULTICONDUCTOR CABLE. MULTICONDUCTOR CABLE SHOULD HAVE OVERALL OUTER SHIELD AND SHIELD FOR EACH PAIR, TRIAD, QUAD AS APPLICABLE.
- ALL CABLES WITH DIFFERENT VOLTS APPLICATION CAN NOT COEXIST IN THE SAME RACEWAY NUMBER.
- ALL FIRE SYSTEM CABLES SHALL BE SEGREGATED FROM ALL OTHER CABLES, WHICH IS IN ACCORDANCE WITH NFPA 70 (NEC) AND LOCAL JURISDICTION CODES.
- ALL COMMUNICATION CABLES SHALL BE SEGREGATED FROM ALL OTHER CABLES AND NOT COMBINED WITH NON-COMMUNICATION CABLE RACEWAYS.
- FOR INSTRUMENTATION CABLES THAT ARE INCORPORATED IN MULTICONDUCTOR CABLES, INDIVIDUAL SHIELDS MUST BE INCORPORATED AS INDICATED FOR EACH INDIVIDUAL PAIR, TRIAD, ETC. CABLES WITH SHIELDS SHALL HAVE THEIR SHIELD DRESSED OUT NO MORE THAN 1 IN [25 mm].
- CUSTOMER TO ENSURE PROPER CABLE INSTALLATION AND SEPARATION BY SERVICE LEVEL IN ACCORDANCE TO THE FOLLOWING INDUSTRY STANDARDS OR EQUIVALENT:
 - IEEE 422: IEEE GUIDE FOR THE DESIGN AND INSTALLATION OF CABLE SYSTEMS IN POWER GENERATING SYSTEMS.
 - NFPA 70 (NEC): ARTICLE 300-310 CONDUCTORS OF DIFFERENT SYSTEMS.
 - IEC 61000-5-2: EMC - INSTALLATION AND MITIGATION GUIDELINES, EARTHING AND CABLING.

INSTRUMENTATION & CONTROL (24 VDC OR LESS) AND COMMUNICATION CABLES SHALL BE SEGREGATED FROM POWER CABLES IN ACCORDANCE TO THE FOLLOWING AIR GAP REQUIREMENT, AS A MINIMUM (BASED ON 100 M RUNS):

 - 75 TO 130 V: ENSURE 30 IN [0.75 M] AIR GAP, LOW VOLTAGE.
 - 150 TO 230 V: ENSURE 60 IN [1.5 M] AIR GAP, LOW VOLTAGE.
 - 380 TO 480 V: ENSURE 90 IN [2.25 M] AIR GAP, LOW VOLTAGE.
 - 600 TO 15 KV: ENSURE 120 IN [3 M] AIR GAP, MEDIUM VOLTAGE.

IF SEGREGATION AIR GAP IS NOT POSSIBLE, METAL BARRIERS WITH GROUNDS TO BE ADDED BETWEEN CABLE RUNS. ALL CABLES SHOULD NOT BE BENT TO A RADIUS LESS THAN 8 TIMES THE OVERALL DIAMETER FOR NON-SHIELDED CABLES OR 12 TIMES THE OVERALL DIAMETER FOR SHIELDED CABLES. ALL CABLES SHALL BE RATED FOR ALL OF THE ENVIRONMENTAL CONDITIONS WHERE THEY ARE TO BE INSTALLED. WHEN METALLIC SHEATH ARMOR CABLES ARE USED, BOTH ENDS OF THE OUTER ARMOR SHOULD BE GROUNDED TO PE.
- TWISTED PAIR SHIELDED CABLE TO BE 22 AWG, TINNED COPPER, 8.8 PF/FT [28.86 PF/M] STRANDED, 150 V, 150 OHMS IMPEDANCE, BELDEN NO. 89182 OR EQUAL, WHERE INDICATED.
- TWISTED PAIR SHIELDED CABLE TO BE 22 AWG, TINNED COPPER, 14.0 PF/FT [42 PF/M] STRANDED, 300 V, 100 OHMS IMPEDANCE, 85% SHIELDING OR BETTER, ORION NO. 2202-19T015F01 OR THERMAL WIRE & CABLE NO. 200-2C22SE OR WOODWARD GOVERNOR NO. 2008-349 OR EQUAL, WHERE INDICATED.

REFERENCE DRAWINGS:

- X-730005 ELECTRICAL SYMBOLS, ABBREVIATION AND REFERENCE DATA
- X-730006 INTERCONNECT PLAN, ELECTRICAL
- X-730009 INTERCONNECT CABLE SCHEDULE
- X-730690 AREA CLASSIFICATION DRAWING, MAIN UNIT
- X-730691 AREA CLASSIFICATION REPORT

- TWISTED TRIAD SHIELDED CABLE TO BE 22 AWG, TINNED COPPER, 14.0 PF/FT [42 PF/M] STRANDED, 300 V, 100 OHMS IMPEDANCE, 85% SHIELDING OR BETTER, ORION NO. 2203-19T016F01/2203-19T16F01 OR THERMAL WIRE & CABLE NO. 200-3C22SE OR EQUAL, WHERE INDICATED.
- CABLE SUPPLIED WITH GE COMMUNICATION MODULE, WHERE INDICATED.
- TWO (2) CONDUCTOR SHIELDED CABLE TO BE 16 AWG, TYPE KX (TOLERANCE 1, +/- 1.5 C) ALUMEL/CHROMEL THERMOCOUPLE EXTENSION WIRE. TOTAL LOOP RESISTANCE NOT TO EXCEED 180 OHMS. DO NOT LUG, MAKE FIGURE 8 WIRE TO WIRE CONNECTION, WHERE INDICATED.
- USE CATEGORY 5E SHIELDED ETHERNET CABLE W/RJ45 CONNECTORS, WHERE INDICATED.
- OPEN CONTACT = CONDITION SHOWN, WHERE INDICATED.
- MAINTAINED SWITCH CONTACT, WHERE INDICATED.
- MOMENTARY SWITCH CONTACT, WHERE INDICATED.
- ACTIVE ONLY WHEN SELECTED BY LOCAL/REMOTE SWITCH ON THE LOCAL CONTROL PANEL (TCP), WHERE INDICATED.
- IF SIGNAL IS NOT REQUIRED, ADD JUMPER BETWEEN ITS TERMINAL POINTS, WHERE INDICATED.
- WIRE TO BE SIZED BY THE CUSTOMER, WHERE INDICATED.
- UNTERMINATED SHIELD WIRES SHALL BE COILED UP & TAPED.
- ALL SHIELDING WILL HAVE A MAXIMUM EXPOSED SHIELD LENGTH OF 2 IN [51 mm] AT TERMINAL END.
- TERMINATION SUFFIXED WITH AN "S" INDICATES A PASS-THRU BAR AT THAT TERMINAL FOR SHIELD CONNECTION, UNLESS OTHERWISE INDICATED.
- TERMINATION SUFFIXED WITH A "G" INDICATES HALF GREEN/HALF YELLOW GROUND TERMINAL.
- FOR 60 HZ NEC/CSA APPLICATIONS, AC WIRING COLORS SHALL BE PER NEC ARTICLE 200. STANDARD WIRING COLORS ARE RED, BLACK, BROWN FOR POWER PHASES AND WHITE FOR NEUTRAL. PE GROUND WIRING COLOR IS GREEN/YELLOW STRIPE, OR GREEN.
- FOR 50 HZ IEC APPLICATIONS, AC WIRING COLORS SHALL BE PER IEC ARTICLE 60446. STANDARD WIRING COLORS ARE BLACK, BROWN, GRAY FOR POWER PHASES AND BLUE FOR NEUTRAL. PE GROUND WIRING COLOR IS GREEN/YELLOW STRIPE.
- THE CABLE LENGTH FROM THE TURBINE CONTROL PANEL (TCP) TO THE TURBINE SKID SHALL NOT BE EXCEED 328 FT [100M].
- THE CABLE LENGTH FROM THE FUEL DRIVERS PANEL (FDP) (IF USED) SHALL NOT EXCEED 100FT [30M] TO THE TURBINE CONTROL PANEL (TCP) AND 328 FT [100M] TO THE TURBINE SKID.
- TOTAL LOOP RESISTANCE SHALL NOT EXCEED 50 OHMS, WHERE INDICATED.
- FOR CABLES EXCEEDING 328 FT [100 M] IN LENGTH, LARGER TERMINAL BLOCKS AND/OR AN INTERFACE MARSHALING BOX MAY BE REQUIRED TO ACCOMMODATE LARGER SIZES OF CABLES.
- CABLE SUPPLIED BY GE & LOCATED IN THE TURBINE CONTROL PANEL (TCP), WHERE INDICATED.
- THE CABLE LENGTH FROM THE LIQUID FUEL DLE PANEL (LFDP) (IF USED) SHALL NOT EXCEED 10FT [3M] TO THE TURBINE CONTROL PANEL (TCP) AND 328 FT [100M] TO THE TURBINE SKID
- SYSTEM SUPPLIED BY GEPLP, INSTALLATION AND LOCATION IS UNDER CUSTOMER SCOPE AND MUST COMPLY WITH THE INSTALLATION INSTRUCTIONS STATED IN THE USER'S GUIDE. THE MAXIMUM LENGTH OF THE CABLE FROM ANTENNA TO HMI IS 300 FT [91.44 M] PER GEPLP DESIGN.
- SYSTEM SUPPLIED BY CUSTOMER, GEPLP RECOMMEND TO USE GE PART # 398A4893P0001 (SUPPLY BY MEINBERG)
- INSTALLATION AND LOCATION IS UNDER CUSTOMER SCOPE AND MUST COMPLY WITH THE INSTALLATION INSTRUCTIONS STATED IN THE USER'S GUIDE. THE MAXIMUM LENGTH OF THE CABLE FROM ANTENNA TO HMI IS 300 FT [91.44 M] PER GEPLP DESIGN.
- USED CORNING OPTICAL FIBER CABLE NO. 006KSF-T4130D20 OR EQUAL W/INTEGRAL STAINLESS STEEL SC TYPE CONNECTOR ON BOTH ENDS OF THE CABLE, WHERE INDICATED.
- WOBBE METER CAN SUPPORT UP TO 3 GAS TURBINE GENERATOR SETS, FOR CAT5e ETHERNET CABLE INSTALLATION. THE WOBBE METER CAN DIRECT CONNECT TO EACH UNIT FEATURING ONBOARD ETHERNET SWITCH (ENET7), PORT 3 IS FOR UNIT 1, PORT 4 IS FOR UNIT 2, AND PORT 5 IS FOR UNIT 3.
- WOBBE METER CAN SUPPORT UP TO 3 GAS TURBINE GENERATOR SETS, FOR FIBER OPTIC CABLE INSTALLATION. THE WOBBE METER CAN DIRECT CONNECT TO ONE UNIT FEATURING ONBOARD ETHERNET SWITCH WITH FIBER OPTIC PORT. THE FIBER PORT SHALL INTERFACE WITH ESWM2 FIBER OPTIC PORT, IF MULTIPLE UNIT INSTALLATION IS REQUIRED ESWM1 AND ESWM2 AS APPLICABLE SHALL BE LINKED TO ESWM1 AND ESWM2 AS APPLICABLE OF ADDITIONAL UNITS UP TO 3. FIBER OPTIC WOBBE METER INSTALLATION WILL IMPACT A FIBER OPTIC DUPLEX REMOTE HMI/DCS INSTALLATION.
- TROUBLE SHOOTING MODULES CAN UTILIZE ANY SPARE PORT.
- TWO (2) TWISTED PAIRS SHIELDED CABLE TO BE 18 AWG (DATA PAIR), 15 AWG (POWER PAIR), 12 pF/FT [39.4 pF/M], STRANDED, 600 V, 120 OHMS IMPEDANCE, BELDEN NO. 3082A OR EQUAL, WHERE INDICATED.

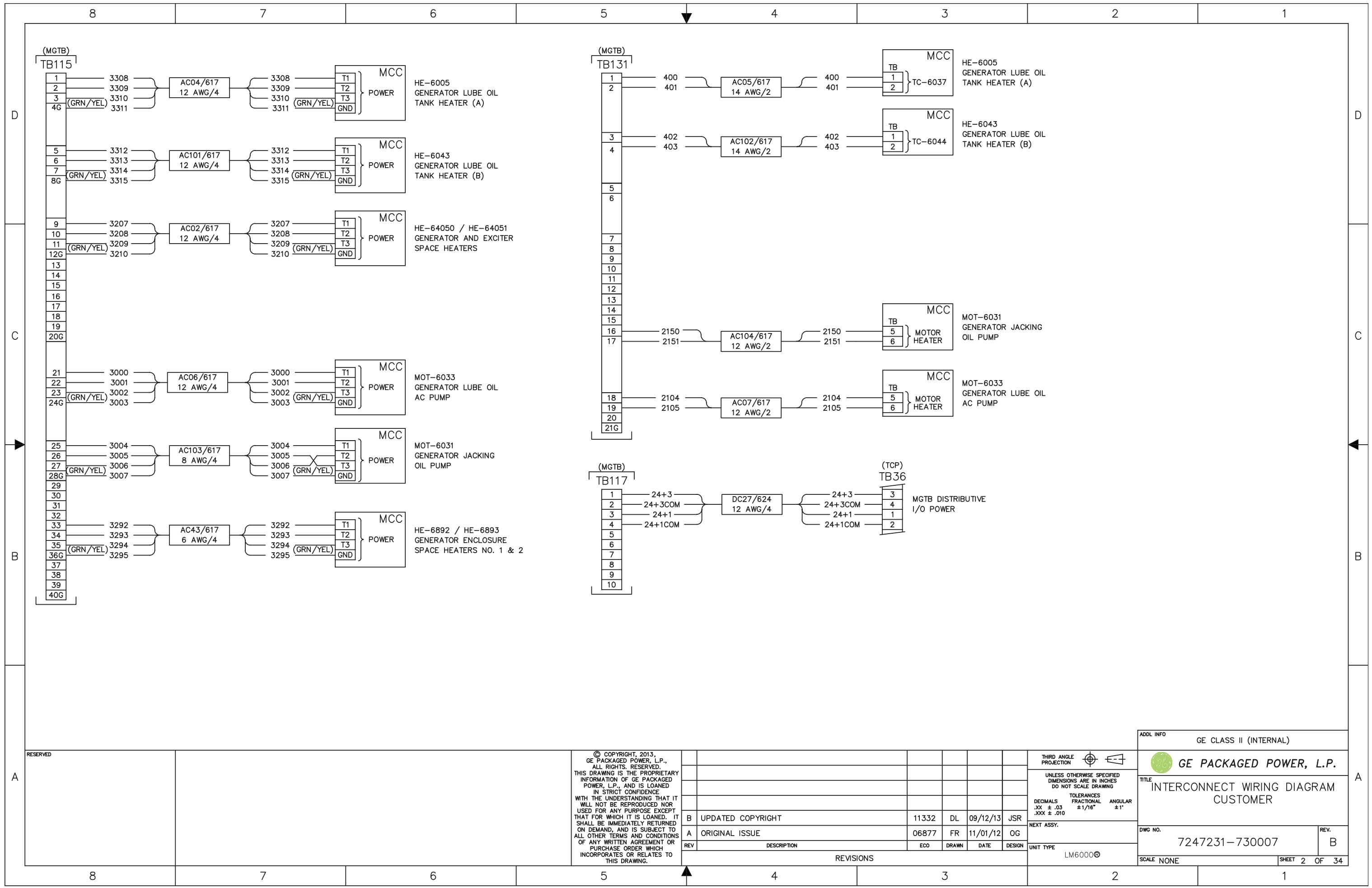
** CUSTOMER PROVIDED

© COPYRIGHT, 2013, GE PACKAGED POWER, L.P., ALL RIGHTS RESERVED. THIS DRAWING IS THE PROPRIETARY INFORMATION OF GE PACKAGED POWER, L.P., AND IS LOANED IN STRICT CONFIDENCE WITH THE UNDERSTANDING THAT IT WILL NOT BE REPRODUCED NOR USED FOR ANY PURPOSE EXCEPT THAT FOR WHICH IT IS LOANED. IT SHALL BE IMMEDIATELY RETURNED ON DEMAND, AND IS SUBJECT TO ALL OTHER TERMS AND CONDITIONS OF ANY WRITTEN AGREEMENT OR PURCHASE ORDER WHICH INCORPORATES OR RELATES TO THIS DRAWING.

REV	DESCRIPTION	ECO	DRAWN	DATE	DESIGN
B	UPDATED COPYRIGHT			11/332 DL 09/12/13	JSR
A	ORIGINAL ISSUE	06877	FR	11/01/12	OG
REVISIONS					

THIRD ANGLE PROJECTION	
UNLESS OTHERWISE SPECIFIED DIMENSIONS ARE IN INCHES DO NOT SCALE DRAWING	
DECIMALS .XX ± .03	FRACTIONAL .XXX ± .010
TOLERANCES ANGULAR ±1°	
NEXT ASSY.	
UNIT TYPE LM6000®	

ADDL INFO	GE CLASS II (INTERNAL)	
TITLE	GE PACKAGED POWER, L.P. INTERCONNECT WIRING DIAGRAM CUSTOMER	
DWG NO.	7247231-730007	REV. B
SCALE	NONE	SHEET 1 OF 34



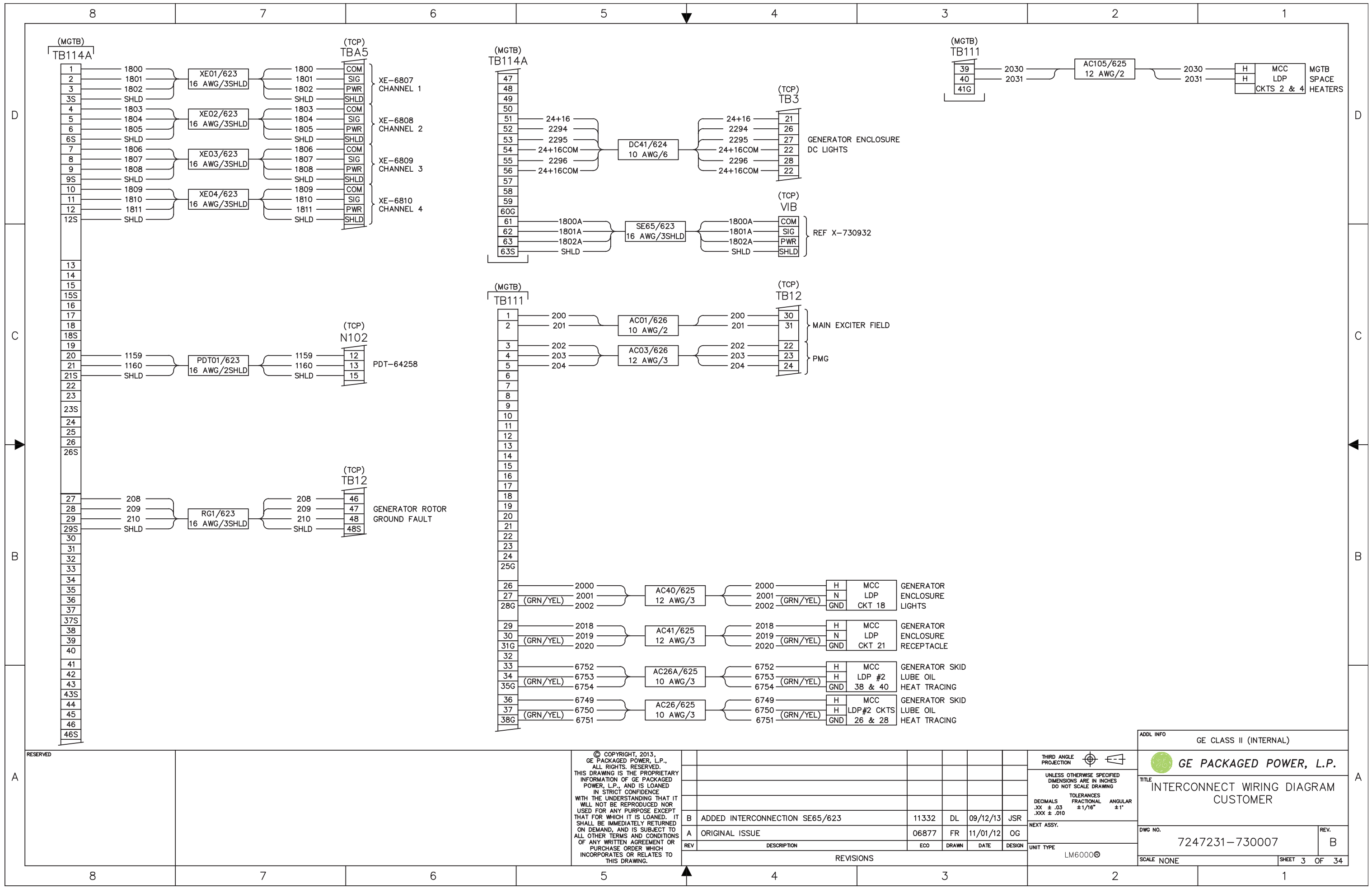
© COPYRIGHT, 2013,
 GE PACKAGED POWER, L.P.,
 ALL RIGHTS RESERVED.
 THIS DRAWING IS THE PROPRIETARY
 INFORMATION OF GE PACKAGED
 POWER, L.P., AND IS LOANED
 IN STRICT CONFIDENCE
 WITH THE UNDERSTANDING THAT IT
 WILL NOT BE REPRODUCED NOR
 USED FOR ANY PURPOSE EXCEPT
 THAT FOR WHICH IT IS LOANED. IT
 SHALL BE IMMEDIATELY RETURNED
 ON DEMAND, AND IS SUBJECT TO
 ALL OTHER TERMS AND CONDITIONS
 OF ANY WRITTEN AGREEMENT OR
 PURCHASE ORDER WHICH
 INCORPORATES OR RELATES TO
 THIS DRAWING.

THIRD ANGLE
 PROJECTION
 UNLESS OTHERWISE SPECIFIED
 DIMENSIONS ARE IN INCHES
 DO NOT SCALE DRAWING
 TOLERANCES
 DECIMALS FRACTIONAL ANGULAR
 .XX ± .03 ±1/16° ±1°
 .XXX ± .010
 NEXT ASSY.
 UNIT TYPE LM6000®

ADDL INFO		GE CLASS II (INTERNAL)	
GE PACKAGED POWER, L.P.		TITLE	
INTERCONNECT WIRING DIAGRAM		CUSTOMER	
DWG NO.	7247231-730007	REV.	B
SCALE NONE		SHEET 2 OF 34	

REV	DESCRIPTION	ECO	DRAWN	DATE	DESIGN
B	UPDATED COPYRIGHT	11332	DL	09/12/13	JSR
A	ORIGINAL ISSUE	06877	FR	11/01/12	OG

RESERVED



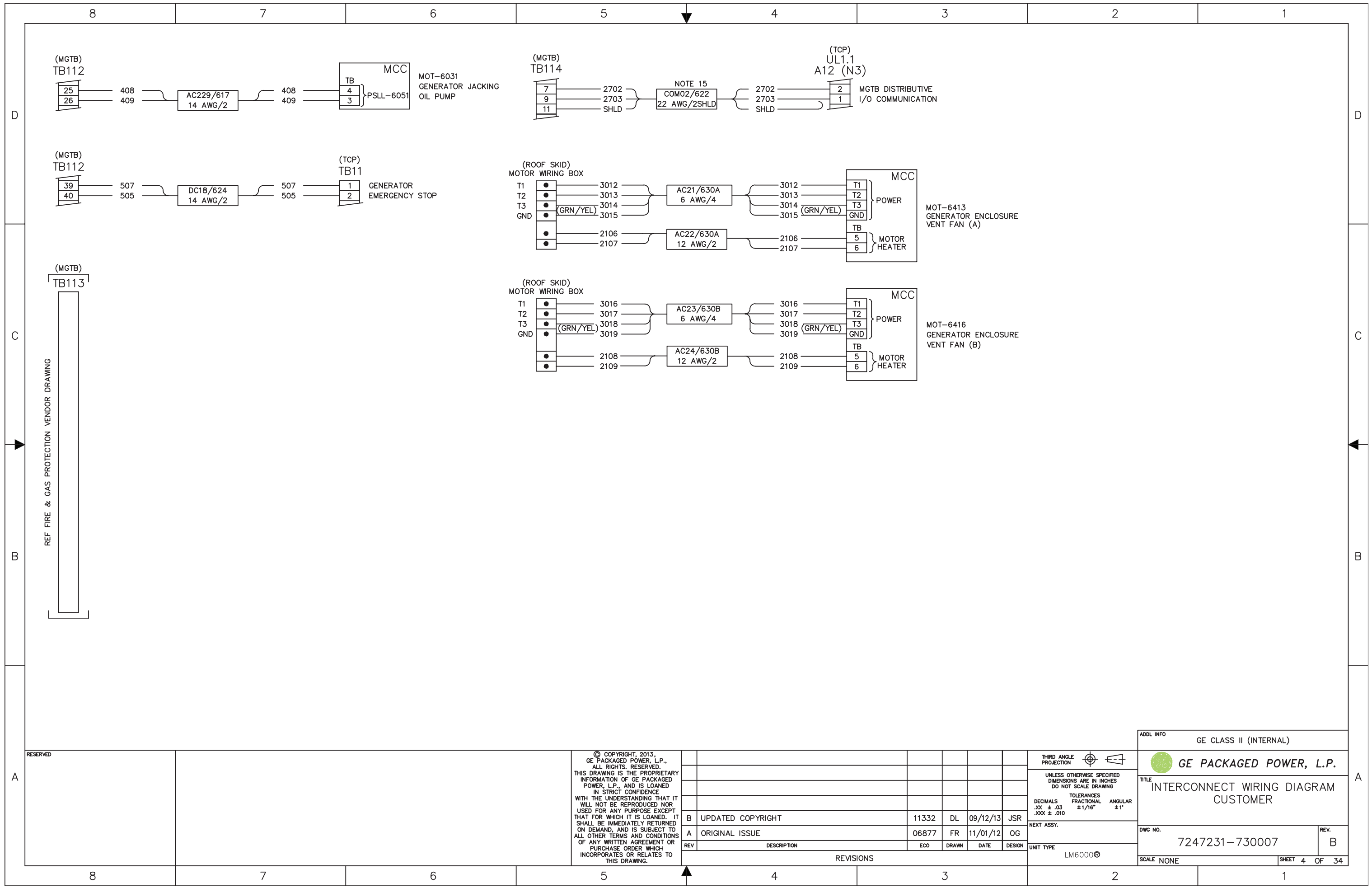
© COPYRIGHT, 2013,
 GE PACKAGED POWER, L.P.,
 ALL RIGHTS RESERVED.
 THIS DRAWING IS THE PROPRIETARY
 INFORMATION OF GE PACKAGED
 POWER, L.P., AND IS LOANED
 IN STRICT CONFIDENCE
 WITH THE UNDERSTANDING THAT IT
 WILL NOT BE REPRODUCED NOR
 USED FOR ANY PURPOSE EXCEPT
 THAT FOR WHICH IT IS LOANED. IT
 SHALL BE IMMEDIATELY RETURNED
 ON DEMAND, AND IS SUBJECT TO
 ALL OTHER TERMS AND CONDITIONS
 OF ANY WRITTEN AGREEMENT OR
 PURCHASE ORDER WHICH
 INCORPORATES OR RELATES TO
 THIS DRAWING.

REV	DESCRIPTION	ECO	DRAWN	DATE	DESIGN
B	ADDED INTERCONNECTION SE65/623	11332	DL	09/12/13	JSR
A	ORIGINAL ISSUE	06877	FR	11/01/12	OG

THIRD ANGLE PROJECTION	
UNLESS OTHERWISE SPECIFIED DIMENSIONS ARE IN INCHES DO NOT SCALE DRAWING	
DECIMALS .XX ± .03	FRACTIONAL ± 1/16"
ANGULAR ± 1°	
NEXT ASSY.	
UNIT TYPE LM6000®	

ADDL INFO	GE CLASS II (INTERNAL)
	GE PACKAGED POWER, L.P.
TITLE	INTERCONNECT WIRING DIAGRAM CUSTOMER
DWG NO.	7247231-730007
SCALE	NONE
SHEET	3 OF 34

RESERVED



REF FIRE & GAS PROTECTION VENDOR DRAWING

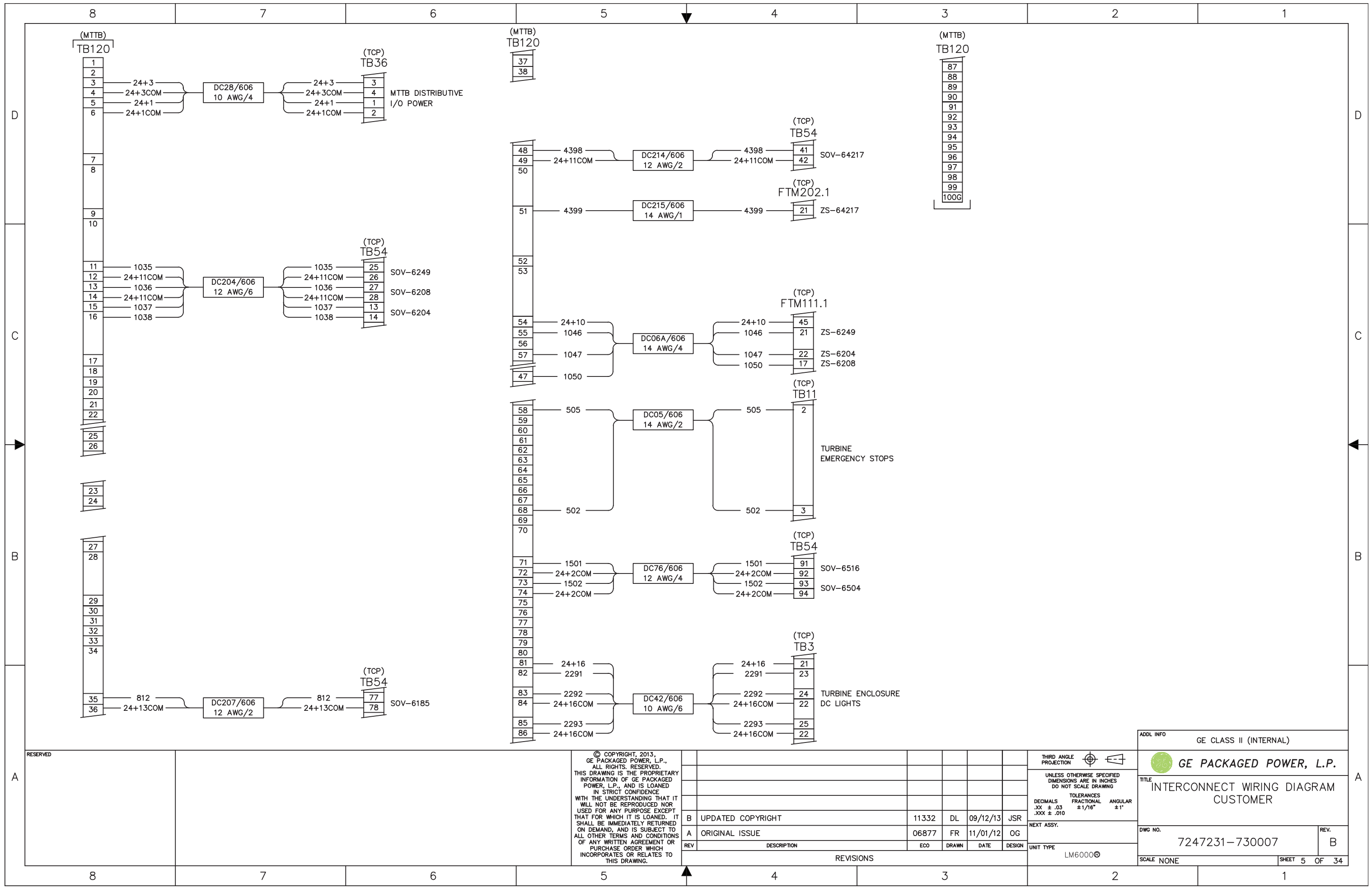
© COPYRIGHT, 2013,
 GE PACKAGED POWER, L.P.,
 ALL RIGHTS RESERVED.
 THIS DRAWING IS THE PROPRIETARY
 INFORMATION OF GE PACKAGED
 POWER, L.P., AND IS LOANED
 IN STRICT CONFIDENCE
 WITH THE UNDERSTANDING THAT IT
 WILL NOT BE REPRODUCED NOR
 USED FOR ANY PURPOSE EXCEPT
 THAT FOR WHICH IT IS LOANED. IT
 SHALL BE IMMEDIATELY RETURNED
 ON DEMAND, AND IS SUBJECT TO
 ALL OTHER TERMS AND CONDITIONS
 OF ANY WRITTEN AGREEMENT OR
 PURCHASE ORDER WHICH
 INCORPORATES OR RELATES TO
 THIS DRAWING.

REV	DESCRIPTION	ECO	DRAWN	DATE	DESIGN
B	UPDATED COPYRIGHT	11332	DL	09/12/13	JSR
A	ORIGINAL ISSUE	06877	FR	11/01/12	OG

THIRD ANGLE PROJECTION	
UNLESS OTHERWISE SPECIFIED DIMENSIONS ARE IN INCHES DO NOT SCALE DRAWING	
DECIMALS .XX ± .03 .XXX ± .010	TOLERANCES FRACTIONAL ± 1/16"
ANGULAR ± 1°	
NEXT ASSY.	
UNIT TYPE LM6000®	

ADDL INFO	GE CLASS II (INTERNAL)
	GE PACKAGED POWER, L.P.
TITLE	INTERCONNECT WIRING DIAGRAM CUSTOMER
DWG NO.	7247231-730007
SCALE	NONE
SHEET	4 OF 34

RESERVED



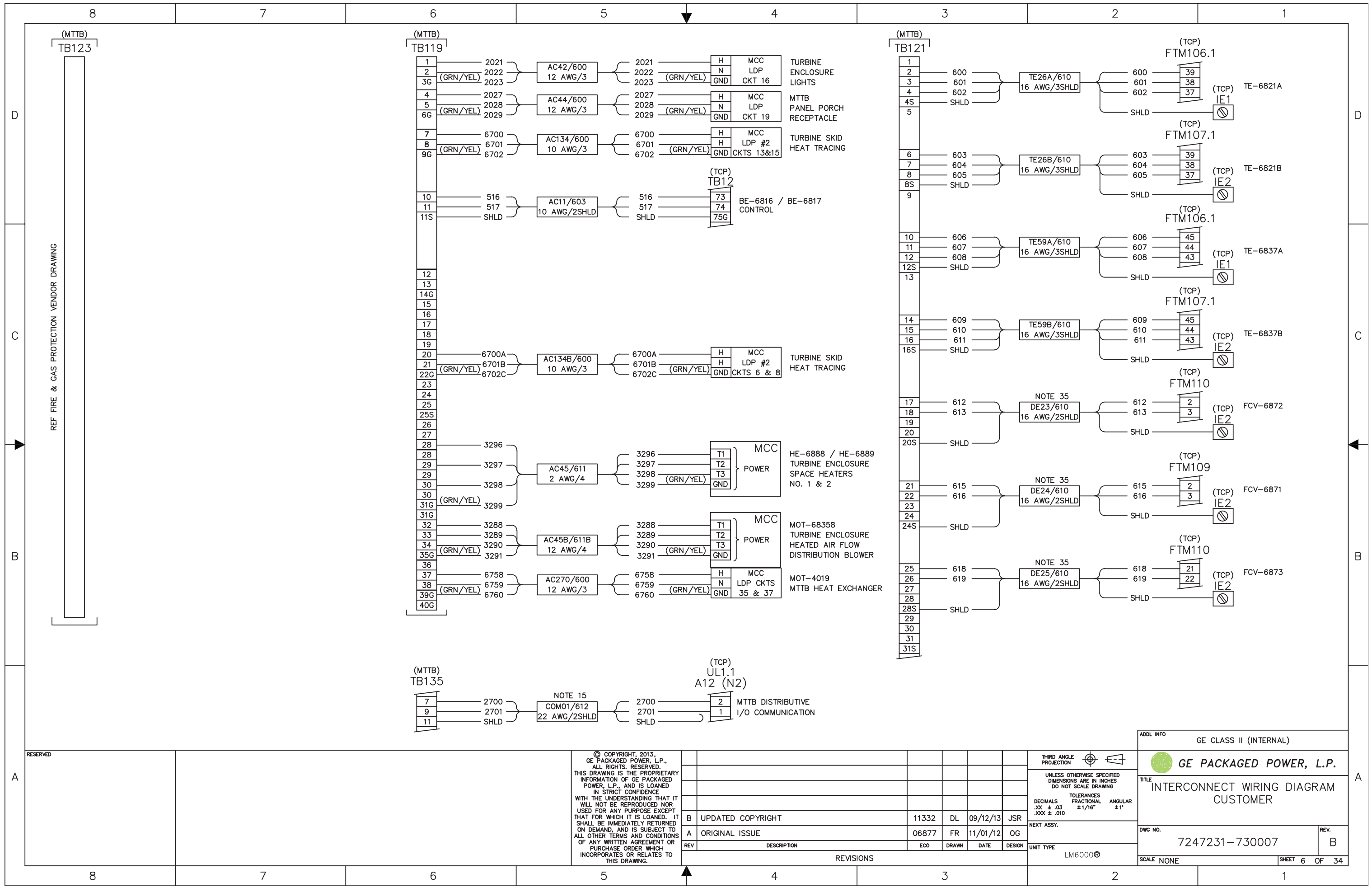
© COPYRIGHT, 2013, GE PACKAGED POWER, L.P., ALL RIGHTS RESERVED. THIS DRAWING IS THE PROPRIETARY INFORMATION OF GE PACKAGED POWER, L.P., AND IS LOANED IN STRICT CONFIDENCE WITH THE UNDERSTANDING THAT IT WILL NOT BE REPRODUCED NOR USED FOR ANY PURPOSE EXCEPT THAT FOR WHICH IT IS LOANED. IT SHALL BE IMMEDIATELY RETURNED ON DEMAND, AND IS SUBJECT TO ALL OTHER TERMS AND CONDITIONS OF ANY WRITTEN AGREEMENT OR PURCHASE ORDER WHICH INCORPORATES OR RELATES TO THIS DRAWING.

REV	DESCRIPTION	ECO	DRAWN	DATE	DESIGN
B	UPDATED COPYRIGHT	11332	DL	09/12/13	JSR
A	ORIGINAL ISSUE	06877	FR	11/01/12	OG

THIRD ANGLE PROJECTION	
UNLESS OTHERWISE SPECIFIED DIMENSIONS ARE IN INCHES DO NOT SCALE DRAWING	
DECIMALS .XX ± .03	FRACTIONAL ±1/16"
.XXX ± .010	ANGULAR ±1°
NEXT ASSY.	
UNIT TYPE LM6000®	

ADDL INFO	GE CLASS II (INTERNAL)
	GE PACKAGED POWER, L.P.
TITLE	INTERCONNECT WIRING DIAGRAM CUSTOMER
DWG NO.	7247231-730007
SCALE	NONE
SHEET	5 OF 34

RESERVED

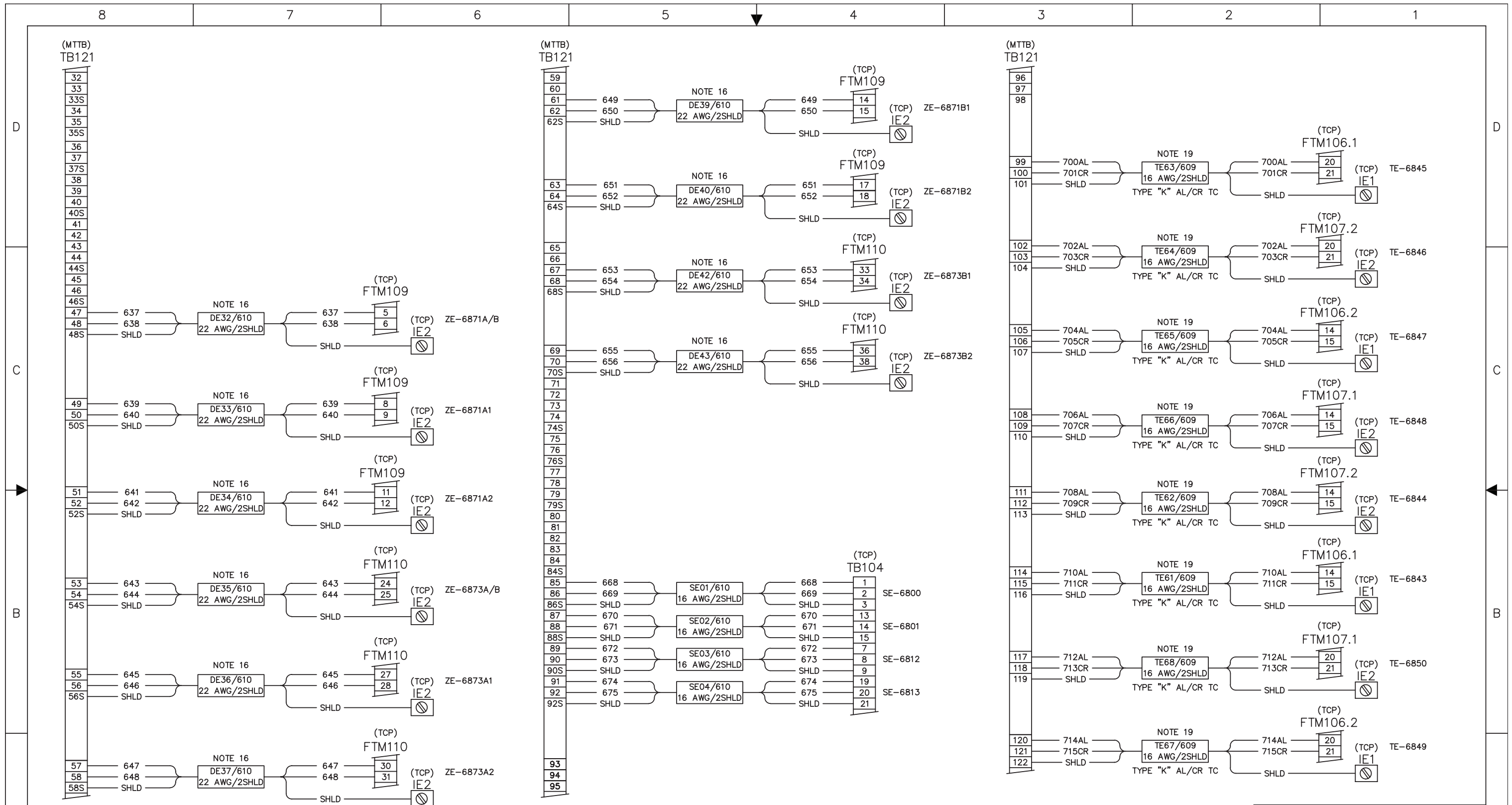


© COPYRIGHT, 2013,
 GE PACKAGED POWER, L.P.,
 ALL RIGHTS RESERVED.
 THIS DRAWING IS THE PROPRIETARY
 INFORMATION OF GE PACKAGED
 POWER, L.P., AND IS LOANED
 IN STRICT CONFIDENCE
 WITH THE UNDERSTANDING THAT IT
 WILL NOT BE REPRODUCED NOR
 USED FOR ANY PURPOSE EXCEPT
 THAT FOR WHICH IT IS LOANED. IT
 SHALL BE IMMEDIATELY RETURNED
 ON DEMAND, AND IS SUBJECT TO
 ALL OTHER TERMS AND CONDITIONS
 OF ANY WRITTEN AGREEMENT OR
 PURCHASE ORDER WHICH
 INCORPORATES OR RELATES TO
 THIS DRAWING.

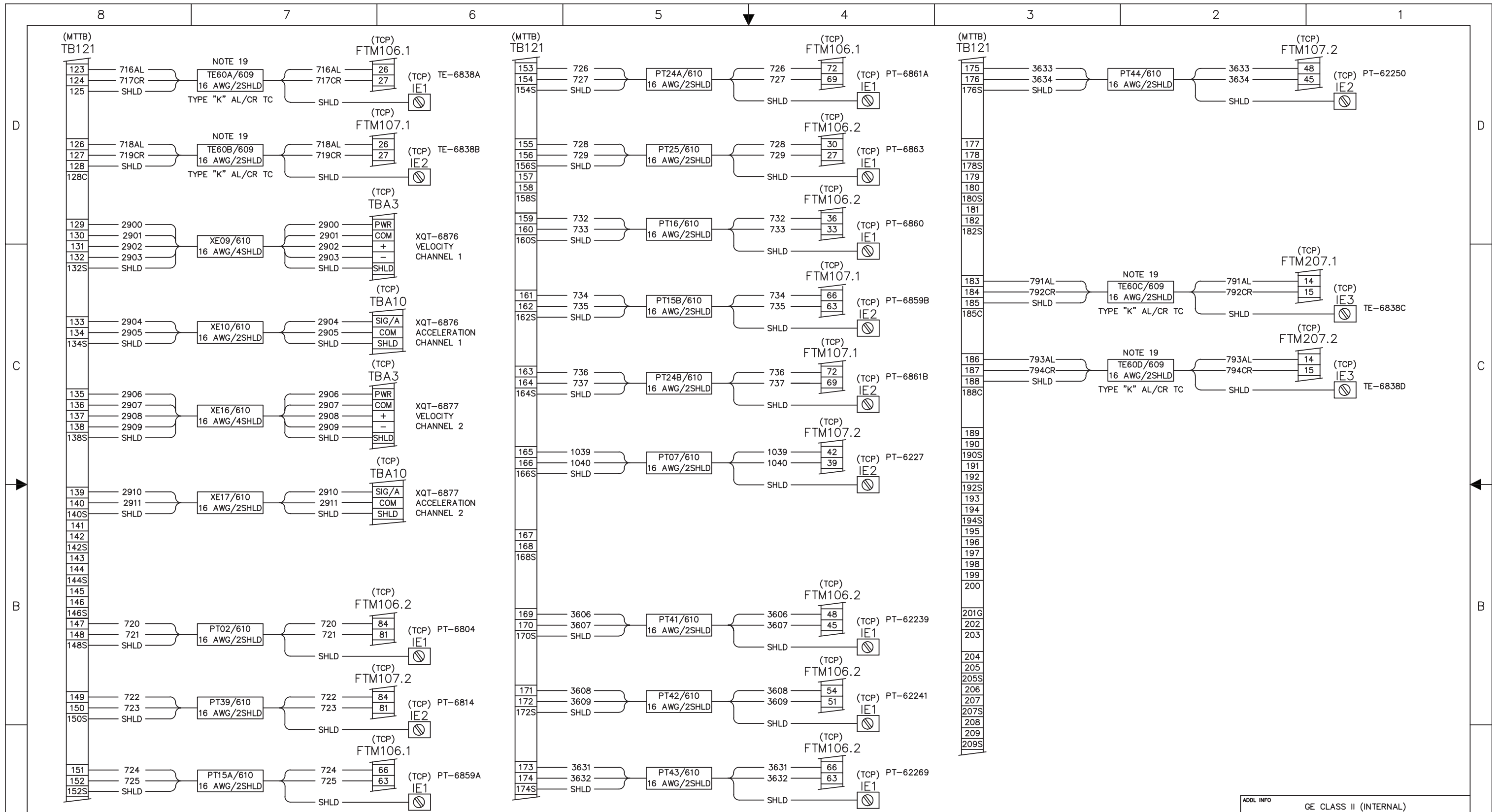
REV	DESCRIPTION	ECO	DRAWN	DATE	DESIGN	UNIT TYPE
B	UPDATED COPYRIGHT	11332	DL	09/12/13	JSR	
A	ORIGINAL ISSUE	06877	FR	11/01/12	OG	

THIRD ANGLE PROJECTION	
UNLESS OTHERWISE SPECIFIED DIMENSIONS ARE IN INCHES DO NOT SCALE DRAWING	
DECIMALS .XX ± .03	FRACTIONAL .XXX ± .010
ANGULAR ±1°	
NEXT ASSY.	
LM6000®	

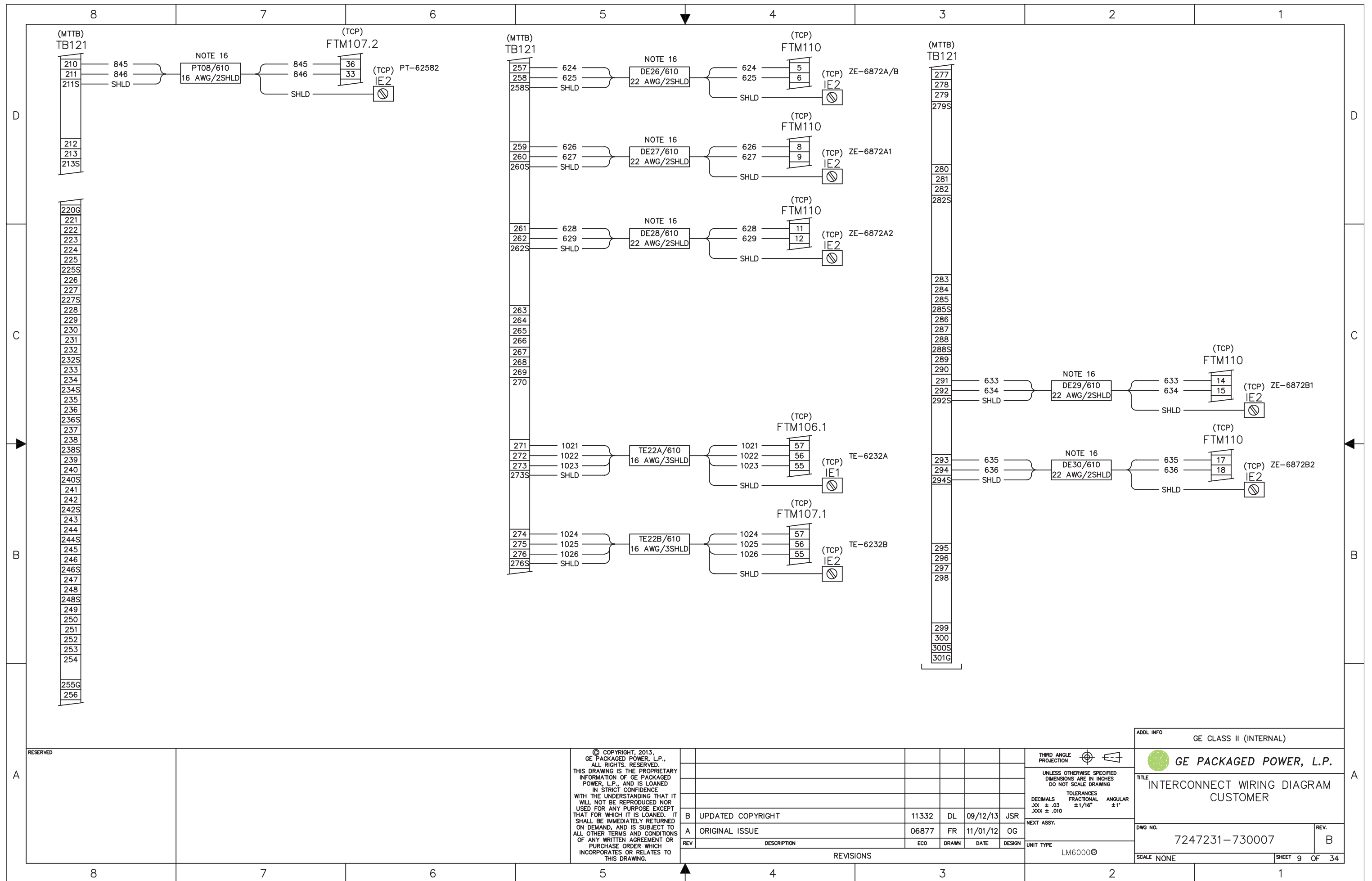
ADDL INFO	GE CLASS II (INTERNAL)
GE PACKAGED POWER, L.P.	
TITLE INTERCONNECT WIRING DIAGRAM CUSTOMER	
DWG NO. 7247231-730007	REV. B
SCALE NONE	SHEET 6 OF 34



RESERVED		<p>© COPYRIGHT, 2013, GE PACKAGED POWER, L.P., ALL RIGHTS RESERVED. THIS DRAWING IS THE PROPRIETARY INFORMATION OF GE PACKAGED POWER, L.P., AND IS LOANED IN STRICT CONFIDENCE WITH THE UNDERSTANDING THAT IT WILL NOT BE REPRODUCED NOR USED FOR ANY PURPOSE EXCEPT THAT FOR WHICH IT IS LOANED. IT SHALL BE IMMEDIATELY RETURNED ON DEMAND, AND IS SUBJECT TO ALL OTHER TERMS AND CONDITIONS OF ANY WRITTEN AGREEMENT OR PURCHASE ORDER WHICH INCORPORATES OR RELATES TO THIS DRAWING.</p>		<p>THIRD ANGLE PROJECTION</p> <p>UNLESS OTHERWISE SPECIFIED DIMENSIONS ARE IN INCHES DO NOT SCALE DRAWING</p> <p>TOLERANCES DECIMALS .XX ± .03 FRACTIONAL .XXX ± .010 ANGULAR ±1°</p>		<p>ADDL INFO GE CLASS II (INTERNAL)</p> <p>GE PACKAGED POWER, L.P.</p> <p>TITLE INTERCONNECT WIRING DIAGRAM CUSTOMER</p>																	
A		<p>B UPDATED COPYRIGHT 11332 DL 09/12/13 JSR</p> <p>A ORIGINAL ISSUE 06877 FR 11/01/12 OG</p>		<p>NEXT ASSY.</p> <p>DWG NO. 7247231-730007</p> <p>REV. B</p>		<p>SCALE NONE SHEET 7 OF 34</p>																	
		<p>REVISIONS</p> <table border="1"> <thead> <tr> <th>REV</th> <th>DESCRIPTION</th> <th>ECO</th> <th>DRAWN</th> <th>DATE</th> <th>DESIGN</th> </tr> </thead> <tbody> <tr> <td>B</td> <td>UPDATED COPYRIGHT</td> <td>11332</td> <td>DL</td> <td>09/12/13</td> <td>JSR</td> </tr> <tr> <td>A</td> <td>ORIGINAL ISSUE</td> <td>06877</td> <td>FR</td> <td>11/01/12</td> <td>OG</td> </tr> </tbody> </table>		REV	DESCRIPTION	ECO	DRAWN	DATE	DESIGN	B	UPDATED COPYRIGHT	11332	DL	09/12/13	JSR	A	ORIGINAL ISSUE	06877	FR	11/01/12	OG	<p>UNIT TYPE LM6000®</p>	
REV	DESCRIPTION	ECO	DRAWN	DATE	DESIGN																		
B	UPDATED COPYRIGHT	11332	DL	09/12/13	JSR																		
A	ORIGINAL ISSUE	06877	FR	11/01/12	OG																		



RESERVED		<p>© COPYRIGHT, 2013, GE PACKAGED POWER, L.P., ALL RIGHTS RESERVED. THIS DRAWING IS THE PROPRIETARY INFORMATION OF GE PACKAGED POWER, L.P., AND IS LOANED IN STRICT CONFIDENCE WITH THE UNDERSTANDING THAT IT WILL NOT BE REPRODUCED NOR USED FOR ANY PURPOSE EXCEPT THAT FOR WHICH IT IS LOANED. IT SHALL BE IMMEDIATELY RETURNED ON DEMAND, AND IS SUBJECT TO ALL OTHER TERMS AND CONDITIONS OF ANY WRITTEN AGREEMENT OR PURCHASE ORDER WHICH INCORPORATES OR RELATES TO THIS DRAWING.</p>				<p>THIRD ANGLE PROJECTION</p>			<p>ADDL INFO GE CLASS II (INTERNAL)</p>	
						<p>UNLESS OTHERWISE SPECIFIED DIMENSIONS ARE IN INCHES DO NOT SCALE DRAWING</p> <p>TOLERANCES DECIMALS .XX ± .03 FRACTIONAL .XXX ± .010 ANGULAR ±1°</p>			<p>GE PACKAGED POWER, L.P.</p>	
		<p>B UPDATED COPYRIGHT 11332 DL 09/12/13 JSR</p> <p>A ORIGINAL ISSUE 06877 FR 11/01/12 OG</p>				<p>TITLE INTERCONNECT WIRING DIAGRAM CUSTOMER</p>			<p>DWG NO. 7247231-730007 REV. B</p>	
		<p>REV DESCRIPTION ECO DRAWN DATE DESIGN</p>				<p>REVISIONS</p>			<p>SCALE NONE SHEET 8 OF 34</p>	



© COPYRIGHT, 2013,
 GE PACKAGED POWER, L.P.,
 ALL RIGHTS RESERVED.
 THIS DRAWING IS THE PROPRIETARY
 INFORMATION OF GE PACKAGED
 POWER, L.P., AND IS LOANED
 IN STRICT CONFIDENCE.
 WITH THE UNDERSTANDING THAT IT
 WILL NOT BE REPRODUCED NOR
 USED FOR ANY PURPOSE EXCEPT
 THAT FOR WHICH IT IS LOANED, IT
 SHALL BE IMMEDIATELY RETURNED
 ON DEMAND, AND IS SUBJECT TO
 ALL OTHER TERMS AND CONDITIONS
 OF ANY WRITTEN AGREEMENT OR
 PURCHASE ORDER WHICH
 INCORPORATES OR RELATES TO
 THIS DRAWING.

REV	DESCRIPTION	ECO	DRAWN	DATE	DESIGN	UNIT TYPE
B	UPDATED COPYRIGHT	11332	DL	09/12/13	JSR	
A	ORIGINAL ISSUE	06877	FR	11/01/12	OG	
REVISIONS						

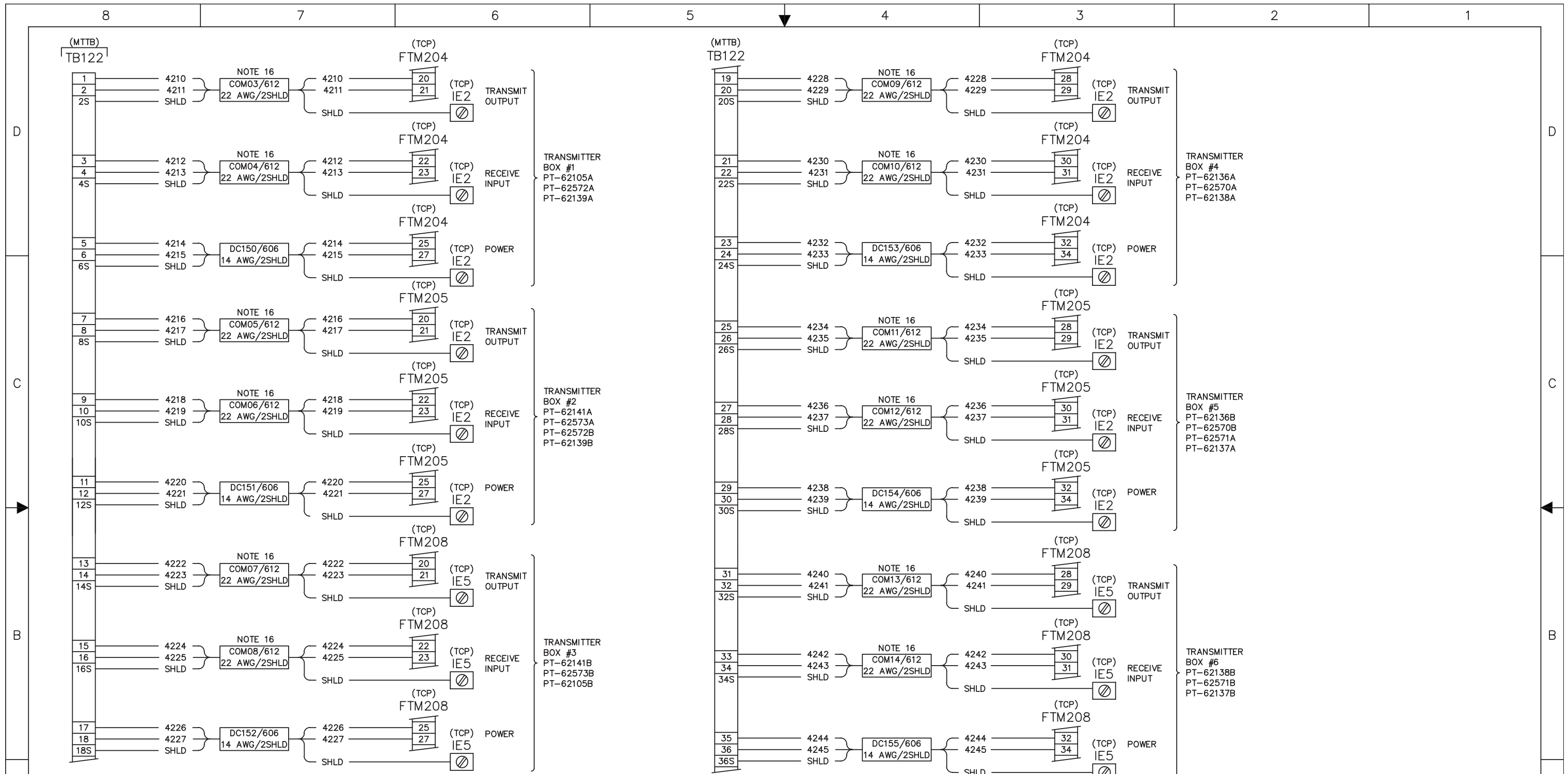
THIRD ANGLE
 PROJECTION

UNLESS OTHERWISE SPECIFIED
 DIMENSIONS ARE IN INCHES
 DO NOT SCALE DRAWING

TOLERANCES
 DECIMALS .XX ± .03
 FRACTIONAL ± 1/16"
 ANGULAR ± 1°

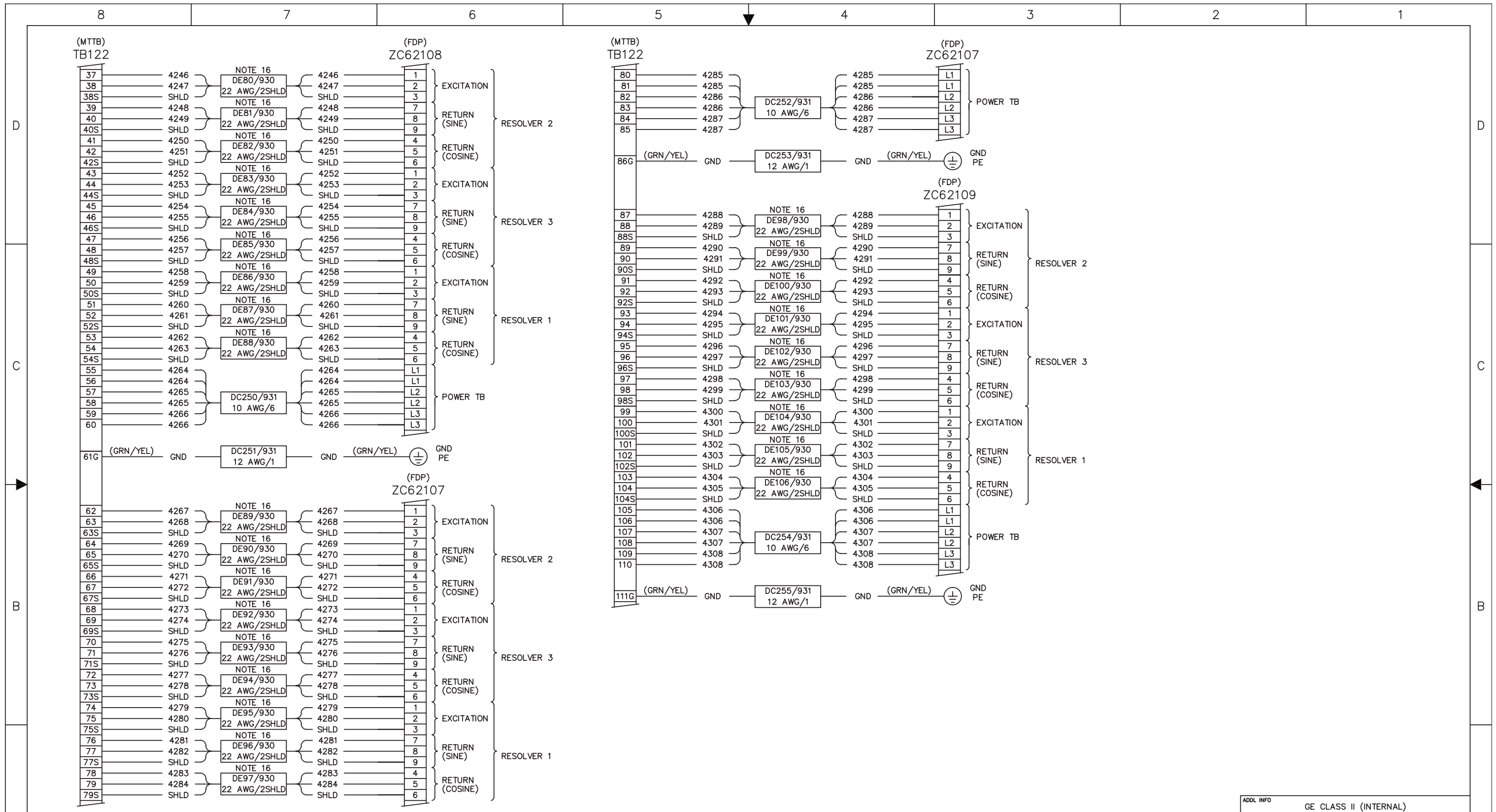
NEXT ASSY.
 LM6000®

ADDL INFO	GE CLASS II (INTERNAL)	
GE PACKAGED POWER, L.P.		
TITLE INTERCONNECT WIRING DIAGRAM CUSTOMER		
DWG NO.	7247231-730007	REV. B
SCALE NONE		SHEET 9 OF 34



RESERVED		ADDL INFO		GE CLASS II (INTERNAL)	
		THIRD ANGLE PROJECTION			
		UNLESS OTHERWISE SPECIFIED DIMENSIONS ARE IN INCHES DO NOT SCALE DRAWING		GE PACKAGED POWER, L.P.	
		TOLERANCES DECIMALS .XX ± .03 FRACTIONAL .XXX ± .010 ANGULAR ±1°		TITLE INTERCONNECT WIRING DIAGRAM CUSTOMER	
		B UPDATED COPYRIGHT A ORIGINAL ISSUE		DWG NO. 7247231-730007	
		REV DESCRIPTION B UPDATED COPYRIGHT A ORIGINAL ISSUE		REV. B	
		ECO DRAWN DATE DESIGN 11332 DL 09/12/13 JSR 06877 FR 11/01/12 OG		SCALE NONE	
		REVISIONS		SHEET 10 OF 34	
		LM6000®			

© COPYRIGHT, 2013,
 GE PACKAGED POWER, L.P.,
 ALL RIGHTS RESERVED.
 THIS DRAWING IS THE PROPRIETARY
 INFORMATION OF GE PACKAGED
 POWER, L.P., AND IS LOANED
 IN STRICT CONFIDENCE
 WITH THE UNDERSTANDING THAT IT
 WILL NOT BE REPRODUCED NOR
 USED FOR ANY PURPOSE EXCEPT
 THAT FOR WHICH IT IS LOANED. IT
 SHALL BE IMMEDIATELY RETURNED
 ON DEMAND, AND IS SUBJECT TO
 ALL OTHER TERMS AND CONDITIONS
 OF ANY WRITTEN AGREEMENT OR
 PURCHASE ORDER WHICH
 INCORPORATES OR RELATES TO
 THIS DRAWING.



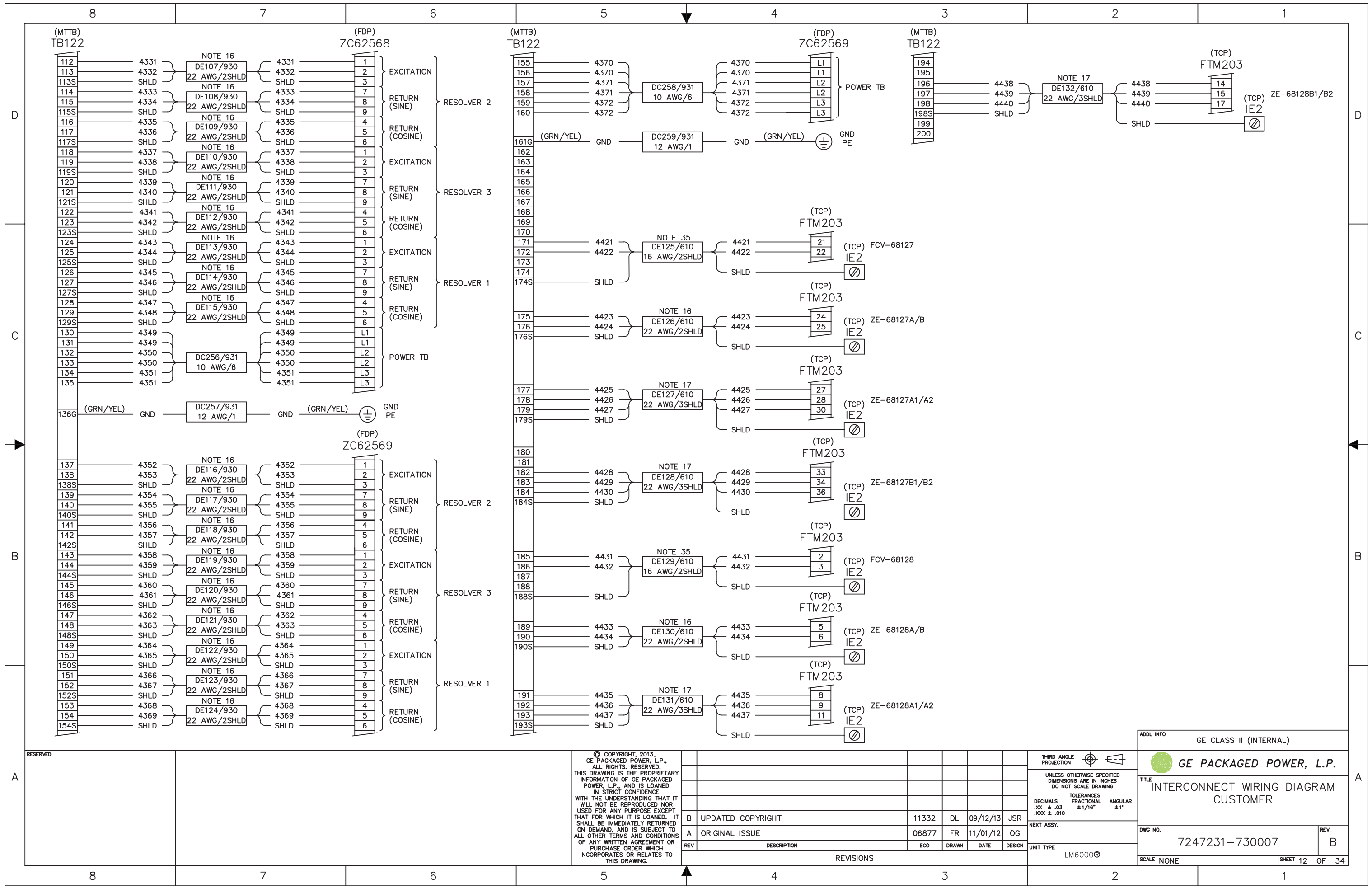
© COPYRIGHT, 2013,
 GE PACKAGED POWER, L.P.,
 ALL RIGHTS RESERVED.
 THIS DRAWING IS THE PROPRIETARY
 INFORMATION OF GE PACKAGED
 POWER, L.P., AND IS LOANED
 IN STRICT CONFIDENCE.
 WITH THE UNDERSTANDING THAT IT
 WILL NOT BE REPRODUCED NOR
 USED FOR ANY PURPOSE EXCEPT
 THAT FOR WHICH IT IS LOANED, IT
 SHALL BE IMMEDIATELY RETURNED
 ON DEMAND, AND IS SUBJECT TO
 ALL OTHER TERMS AND CONDITIONS
 OF ANY WRITTEN AGREEMENT OR
 PURCHASE ORDER WHICH
 INCORPORATES OR RELATES TO
 THIS DRAWING.

REV	DESCRIPTION	ECO	DRAWN	DATE	DESIGN
B	UPDATED COPYRIGHT	11332	DL	09/12/13	JSR
A	ORIGINAL ISSUE	06877	FR	11/01/12	OG

THIRD ANGLE PROJECTION			
UNLESS OTHERWISE SPECIFIED DIMENSIONS ARE IN INCHES DO NOT SCALE DRAWING			
DECIMALS .XX ± .03	FRACTIONAL .XXX ± .010	ANGULAR ± 1°	
NEXT ASSY.			
UNIT TYPE LM6000®			

ADDL INFO		GE CLASS II (INTERNAL)	
GE PACKAGED POWER, L.P.			
TITLE INTERCONNECT WIRING DIAGRAM CUSTOMER			
DWG NO. 7247231-730007		REV. B	
SCALE NONE		SHEET 11 OF 34	

RESERVED					
----------	--	--	--	--	--

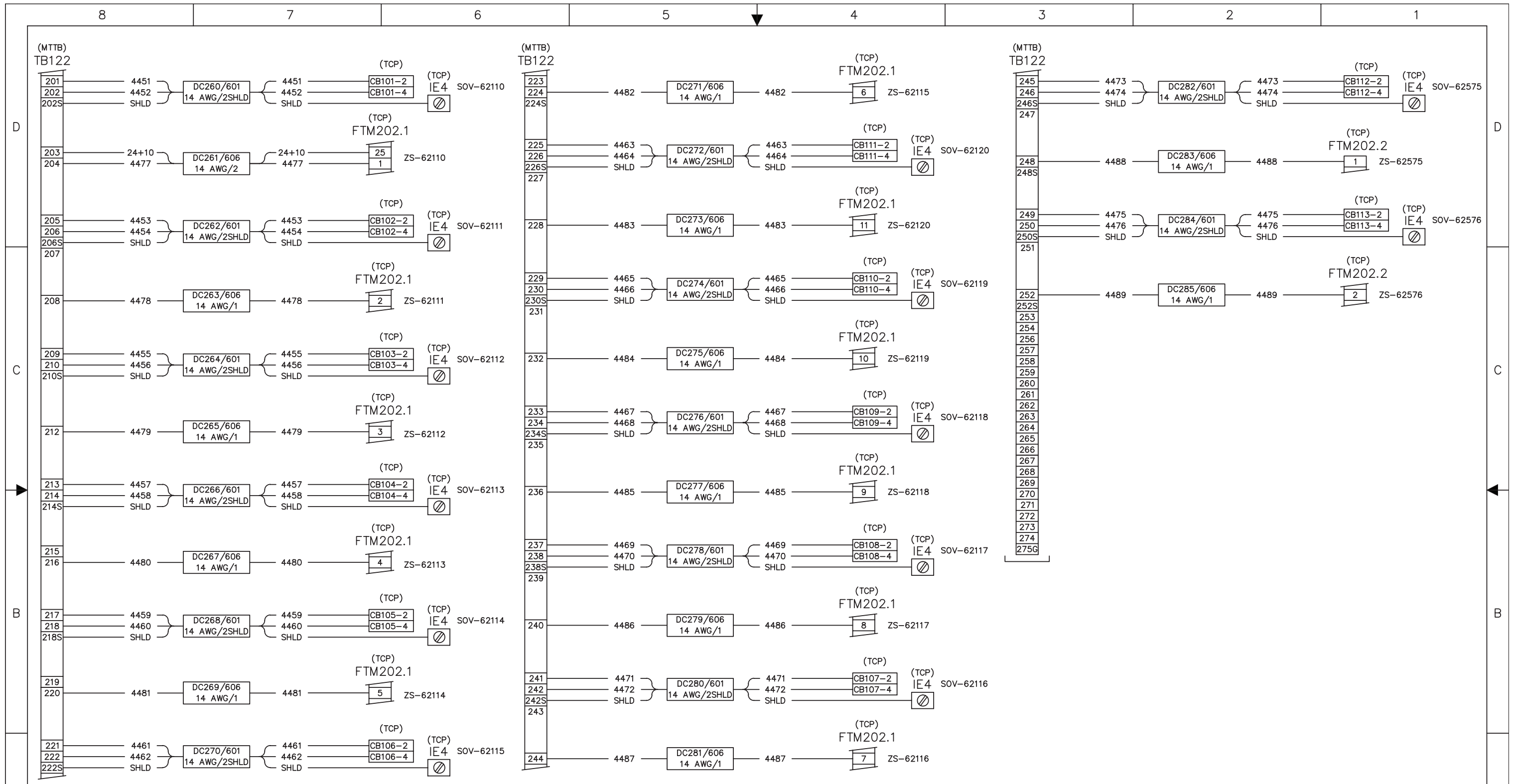


© COPYRIGHT, 2013, GE PACKAGED POWER, L.P., ALL RIGHTS RESERVED. THIS DRAWING IS THE PROPRIETARY INFORMATION OF GE PACKAGED POWER, L.P., AND IS LOANED IN STRICT CONFIDENCE WITH THE UNDERSTANDING THAT IT WILL NOT BE REPRODUCED NOR USED FOR ANY PURPOSE EXCEPT THAT FOR WHICH IT IS LOANED. IT SHALL BE IMMEDIATELY RETURNED ON DEMAND, AND IS SUBJECT TO ALL OTHER TERMS AND CONDITIONS OF ANY WRITTEN AGREEMENT OR PURCHASE ORDER WHICH INCORPORATES OR RELATES TO THIS DRAWING.

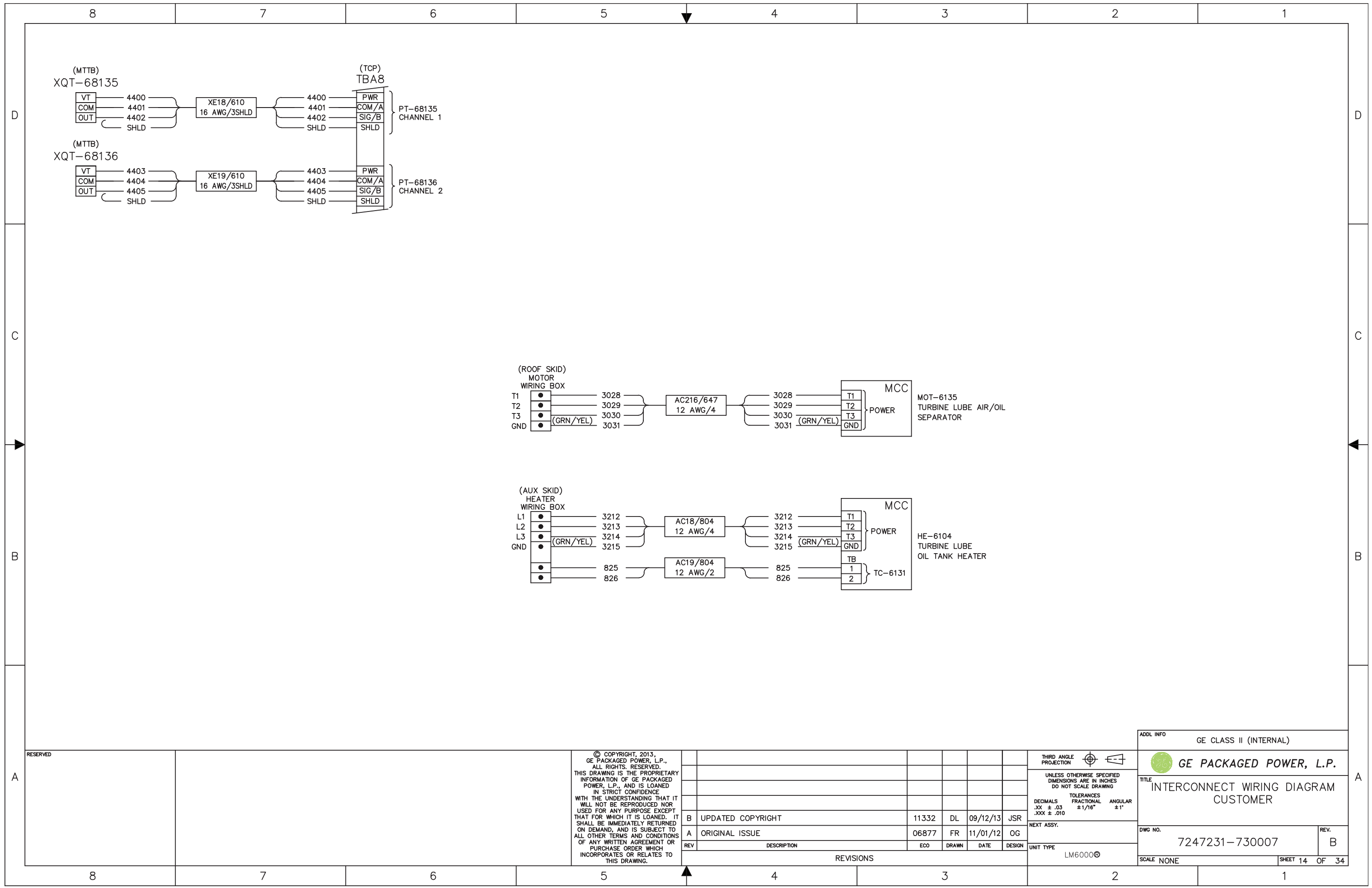
REV	DESCRIPTION	ECO	DRAWN	DATE	DESIGN
B	UPDATED COPYRIGHT	11332	DL	09/12/13	JSR
A	ORIGINAL ISSUE	06877	FR	11/01/12	OG

UNIT TYPE	LM6000®
THIRD ANGLE PROJECTION	
UNLESS OTHERWISE SPECIFIED DIMENSIONS ARE IN INCHES DO NOT SCALE DRAWING	
DECIMALS .XX ± .03	FRACTIONAL ± 1/16"
.XXX ± .010	ANGULAR ± 1°
NEXT ASSY.	

ADDL INFO	GE CLASS II (INTERNAL)
	GE PACKAGED POWER, L.P.
TITLE	INTERCONNECT WIRING DIAGRAM CUSTOMER
DWG NO.	7247231-730007
SCALE	NONE
SHEET	12 OF 34



RESERVED		<p>© COPYRIGHT, 2013, GE PACKAGED POWER, L.P., ALL RIGHTS RESERVED. THIS DRAWING IS THE PROPRIETARY INFORMATION OF GE PACKAGED POWER, L.P., AND IS LOANED IN STRICT CONFIDENCE WITH THE UNDERSTANDING THAT IT WILL NOT BE REPRODUCED NOR USED FOR ANY PURPOSE EXCEPT THAT FOR WHICH IT IS LOANED. IT SHALL BE IMMEDIATELY RETURNED ON DEMAND, AND IS SUBJECT TO ALL OTHER TERMS AND CONDITIONS OF ANY WRITTEN AGREEMENT OR PURCHASE ORDER WHICH INCORPORATES OR RELATES TO THIS DRAWING.</p>				<p>THIRD ANGLE PROJECTION</p>		<p>ADDL INFO GE CLASS II (INTERNAL)</p>	
						<p>UNLESS OTHERWISE SPECIFIED DIMENSIONS ARE IN INCHES DO NOT SCALE DRAWING</p>		<p>GE PACKAGED POWER, L.P.</p>	
						<p>TOLERANCES DECIMALS .XX ± .03 .XXX ± .010</p>		<p>TITLE INTERCONNECT WIRING DIAGRAM CUSTOMER</p>	
						<p>REVISIONS</p>		<p>DWG NO. 7247231-730007</p>	
						<p>REV B UPDATED COPYRIGHT 11332 DL 09/12/13 JSR</p>		<p>REV. B</p>	
						<p>REV A ORIGINAL ISSUE 06877 FR 11/01/12 OG</p>		<p>SCALE NONE SHEET 13 OF 34</p>	
						<p>UNIT TYPE LM6000®</p>			



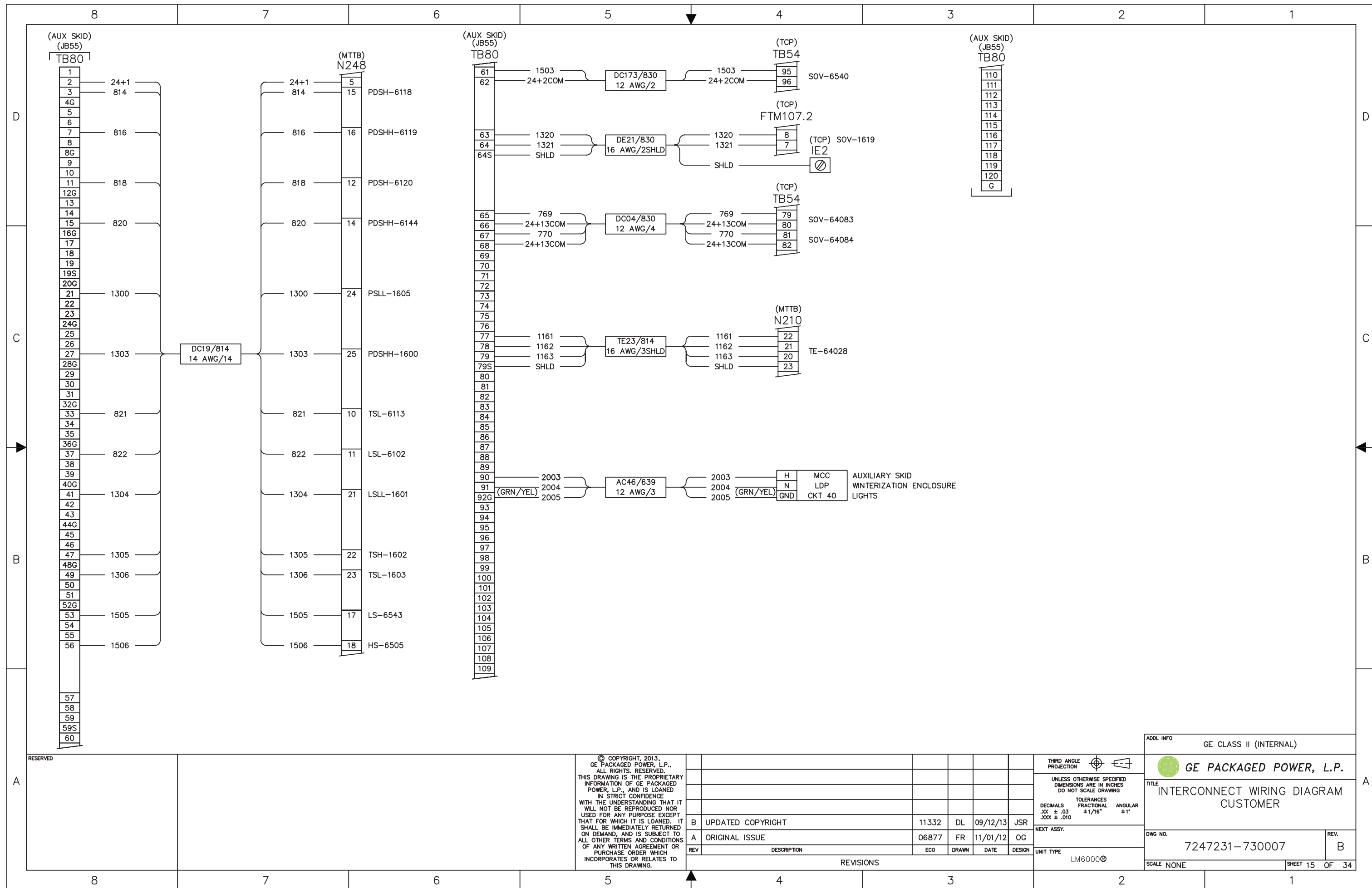
© COPYRIGHT, 2013,
 GE PACKAGED POWER, L.P.,
 ALL RIGHTS RESERVED.
 THIS DRAWING IS THE PROPRIETARY
 INFORMATION OF GE PACKAGED
 POWER, L.P., AND IS LOANED
 IN STRICT CONFIDENCE.
 WITH THE UNDERSTANDING THAT IT
 WILL NOT BE REPRODUCED NOR
 USED FOR ANY PURPOSE EXCEPT
 THAT FOR WHICH IT IS LOANED, IT
 SHALL BE IMMEDIATELY RETURNED
 ON DEMAND, AND IS SUBJECT TO
 ALL OTHER TERMS AND CONDITIONS
 OF ANY WRITTEN AGREEMENT OR
 PURCHASE ORDER WHICH
 INCORPORATES OR RELATES TO
 THIS DRAWING.

THIRD ANGLE PROJECTION	
UNLESS OTHERWISE SPECIFIED DIMENSIONS ARE IN INCHES DO NOT SCALE DRAWING	
DECIMALS .XX ± .03 .XXX ± .010	TOLERANCES FRACTIONAL ±1/16"
ANGULAR ±1°	
NEXT ASSY.	
UNIT TYPE LM6000®	

ADDL INFO	GE CLASS II (INTERNAL)
	GE PACKAGED POWER, L.P.
TITLE	INTERCONNECT WIRING DIAGRAM CUSTOMER
DWG NO.	7247231-730007
REV.	B
SCALE	NONE
SHEET	14 OF 34

REV	DESCRIPTION	ECO	DRAWN	DATE	DESIGN
B	UPDATED COPYRIGHT	11332	DL	09/12/13	JSR
A	ORIGINAL ISSUE	06877	FR	11/01/12	OG

RESERVED					
----------	--	--	--	--	--



© COPYRIGHT, 2013,
 GE PACKAGED POWER, L.P.,
 ALL RIGHTS RESERVED.
 THIS DRAWING IS THE PROPRIETARY
 INFORMATION OF GE PACKAGED
 POWER, L.P., AND IS LOANED
 IN STRICT CONFIDENCE.
 WITH THE UNDERSTANDING THAT IT
 WILL NOT BE REPRODUCED NOR
 USED FOR ANY PURPOSE EXCEPT
 THAT FOR WHICH IT IS LOANED, IT
 SHALL BE IMMEDIATELY RETURNED
 ON DEMAND, AND IS SUBJECT TO
 ALL OTHER TERMS AND CONDITIONS
 OF ANY WRITTEN AGREEMENT OR
 PURCHASE ORDER WHICH
 INCORPORATES OR RELATES TO
 THIS DRAWING.

REV	DESCRIPTION	ECO	DRAWN	DATE	DESIGN
B	UPDATED COPYRIGHT	11332	DL	09/12/13	JSR
A	ORIGINAL ISSUE	06877	FR	11/01/12	OG

TOLERANCES		
DECIMALS	FRACTIONAL	ANGULAR
.XX ± .03	±1/16"	±1°
.XXX ± .010		

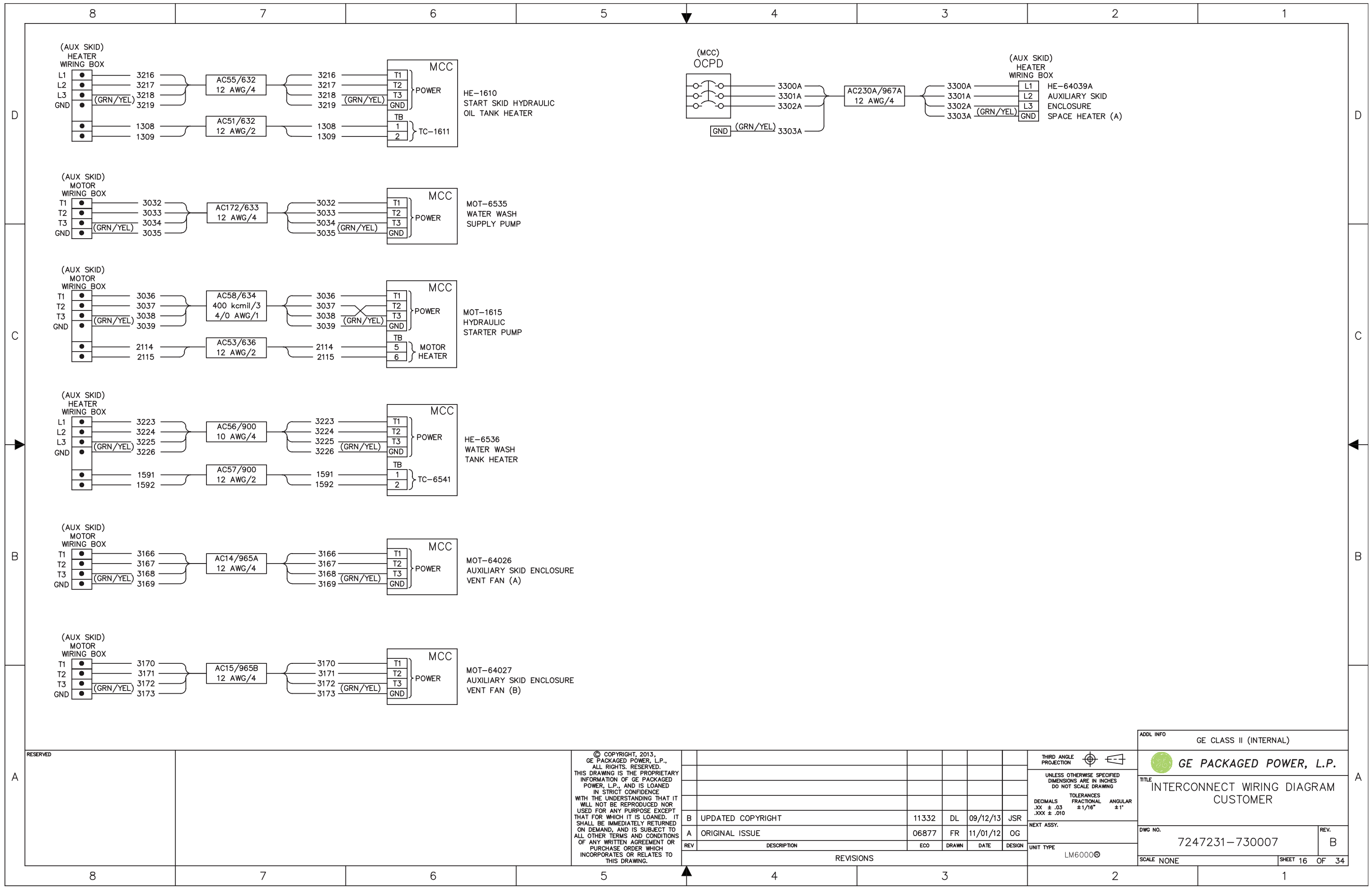
ADDL INFO		GE CLASS II (INTERNAL)	
GE PACKAGED POWER, L.P.			
TITLE INTERCONNECT WIRING DIAGRAM CUSTOMER			
DWG NO.	7247231-730007		REV. B
SCALE NONE		SHEET 15 OF 34	

RESERVED

THIRD ANGLE PROJECTION

UNLESS OTHERWISE SPECIFIED DIMENSIONS ARE IN INCHES DO NOT SCALE DRAWING

UNIT TYPE LM6000®



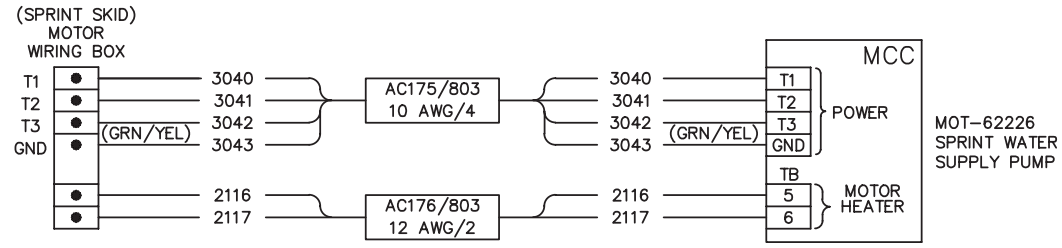
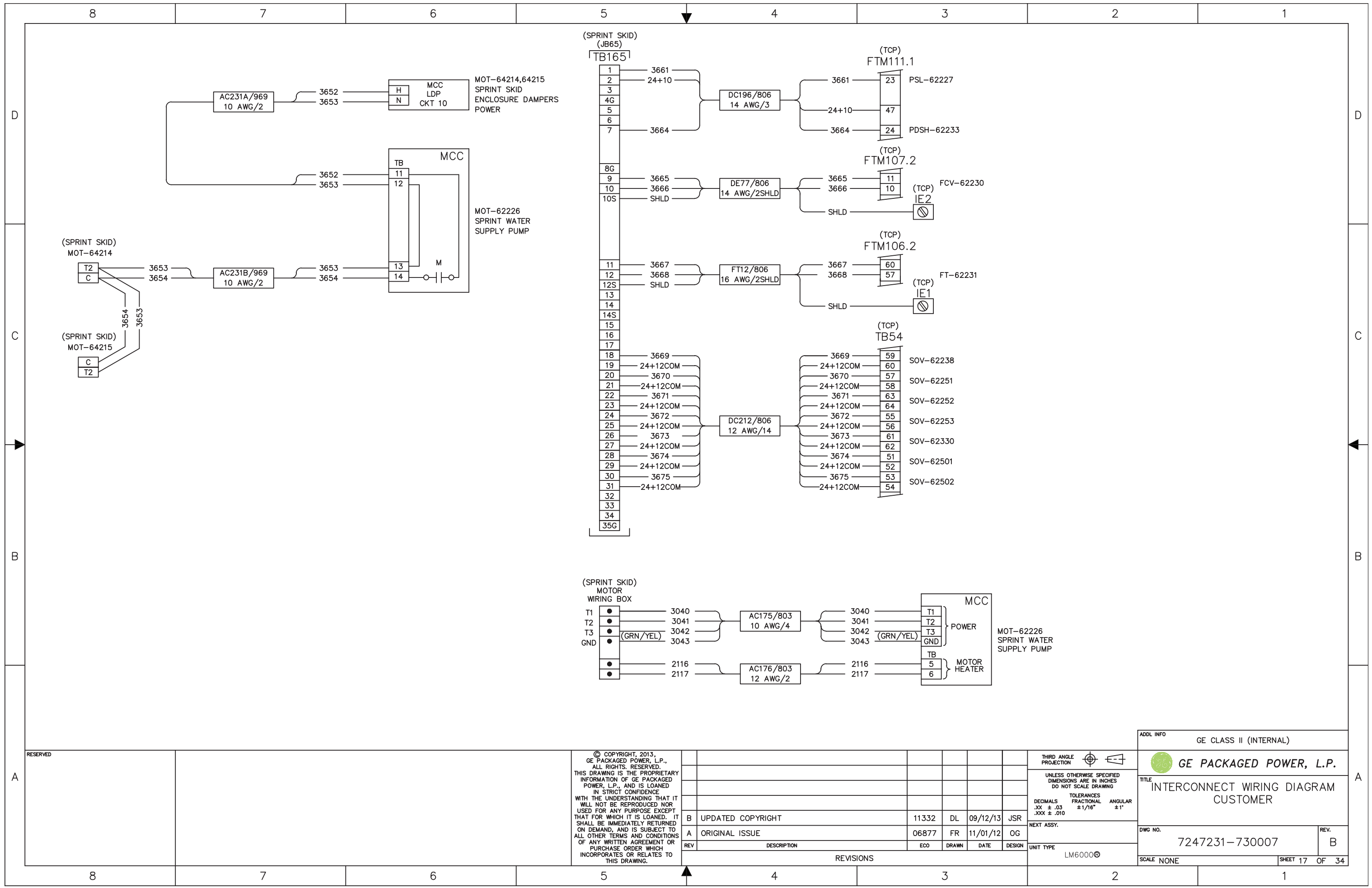
© COPYRIGHT, 2013,
 GE PACKAGED POWER, L.P.,
 ALL RIGHTS RESERVED.
 THIS DRAWING IS THE PROPRIETARY
 INFORMATION OF GE PACKAGED
 POWER, L.P., AND IS LOANED
 IN STRICT CONFIDENCE
 WITH THE UNDERSTANDING THAT IT
 WILL NOT BE REPRODUCED NOR
 USED FOR ANY PURPOSE EXCEPT
 THAT FOR WHICH IT IS LOANED. IT
 SHALL BE IMMEDIATELY RETURNED
 ON DEMAND, AND IS SUBJECT TO
 ALL OTHER TERMS AND CONDITIONS
 OF ANY WRITTEN AGREEMENT OR
 PURCHASE ORDER WHICH
 INCORPORATES OR RELATES TO
 THIS DRAWING.

REV	DESCRIPTION	ECO	DRAWN	DATE	DESIGN
B	UPDATED COPYRIGHT	11332	DL	09/12/13	JSR
A	ORIGINAL ISSUE	06877	FR	11/01/12	OG

THIRD ANGLE PROJECTION	
UNLESS OTHERWISE SPECIFIED DIMENSIONS ARE IN INCHES DO NOT SCALE DRAWING	
DECIMALS .XX ± .03 .XXX ± .010	TOLERANCES FRACTIONAL ±1/16"
ANGULAR ±1°	
NEXT ASSY.	
UNIT TYPE LM6000®	

ADDL INFO	GE CLASS II (INTERNAL)
	GE PACKAGED POWER, L.P.
TITLE	INTERCONNECT WIRING DIAGRAM CUSTOMER
DWG NO.	7247231-730007
SCALE	NONE
SHEET	16 OF 34

RESERVED



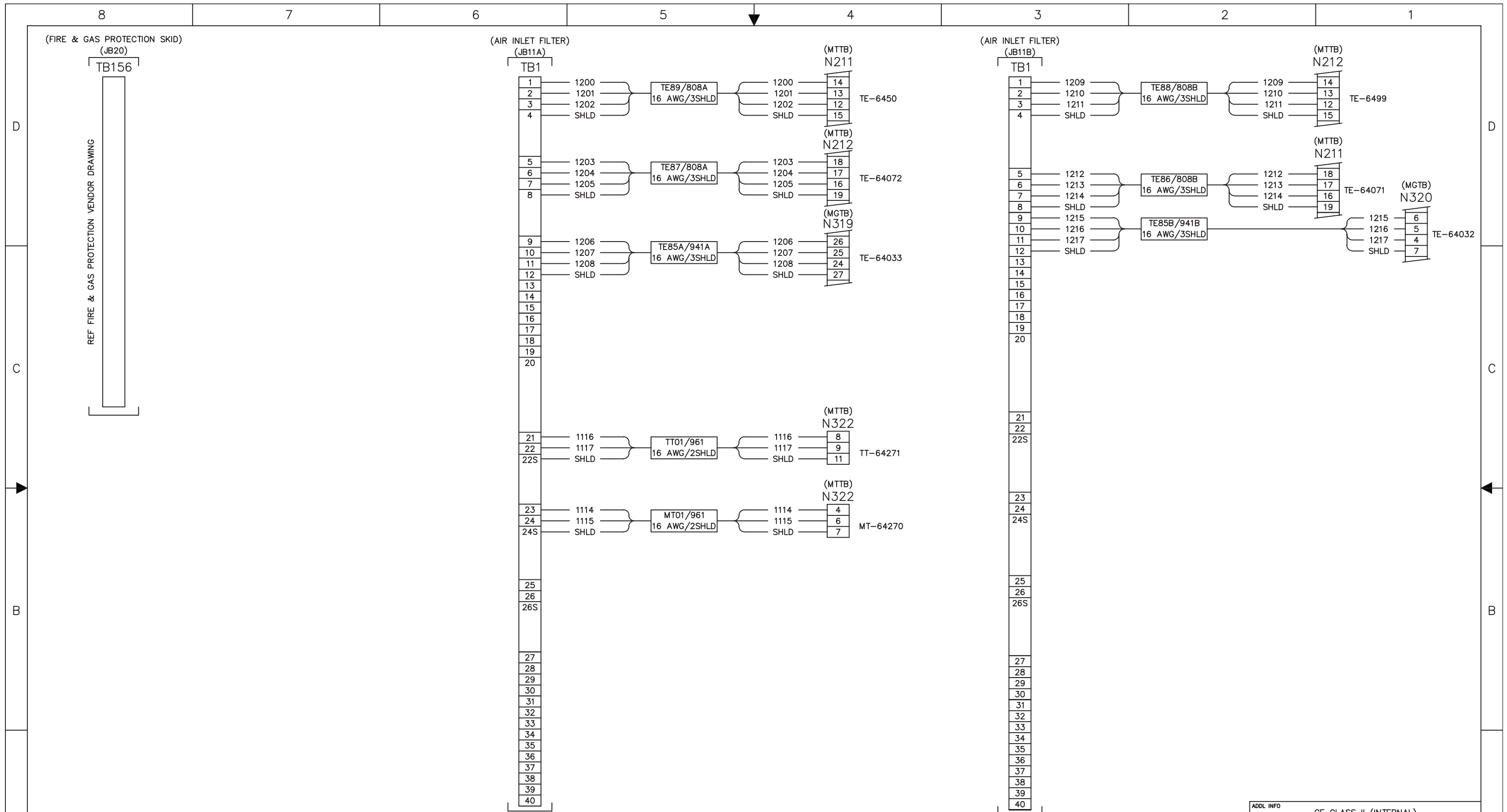
© COPYRIGHT, 2013, GE PACKAGED POWER, L.P., ALL RIGHTS RESERVED. THIS DRAWING IS THE PROPRIETARY INFORMATION OF GE PACKAGED POWER, L.P., AND IS LOANED IN STRICT CONFIDENCE WITH THE UNDERSTANDING THAT IT WILL NOT BE REPRODUCED NOR USED FOR ANY PURPOSE EXCEPT THAT FOR WHICH IT IS LOANED. IT SHALL BE IMMEDIATELY RETURNED ON DEMAND, AND IS SUBJECT TO ALL OTHER TERMS AND CONDITIONS OF ANY WRITTEN AGREEMENT OR PURCHASE ORDER WHICH INCORPORATES OR RELATES TO THIS DRAWING.

REV	DESCRIPTION	ECO	DRAWN	DATE	DESIGN	UNIT TYPE
B	UPDATED COPYRIGHT	11332	DL	09/12/13	JSR	
A	ORIGINAL ISSUE	06877	FR	11/01/12	OG	

THIRD ANGLE PROJECTION	
UNLESS OTHERWISE SPECIFIED DIMENSIONS ARE IN INCHES DO NOT SCALE DRAWING	
DECIMALS .XX ± .03	FRACTIONAL ± 1/16"
.XXX ± .010	ANGULAR ± 1°
NEXT ASSY. LM6000®	

ADDL INFO	GE CLASS II (INTERNAL)
	GE PACKAGED POWER, L.P.
TITLE	INTERCONNECT WIRING DIAGRAM CUSTOMER
DWG NO.	7247231-730007
SCALE	NONE
SHEET	17 OF 34

RESERVED



© COPYRIGHT, 2013,
GE PACKAGED POWER, L.P.,
ALL RIGHTS RESERVED.
THIS DRAWING IS THE PROPRIETARY
INFORMATION OF GE PACKAGED
POWER, L.P., AND IS LOANED
IN STRICT CONFIDENCE
WITH THE UNDERSTANDING THAT IT
WILL NOT BE REPRODUCED NOR
USED FOR ANY PURPOSE EXCEPT
THAT FOR WHICH IT IS LOANED. IT
SHALL BE IMMEDIATELY RETURNED
ON DEMAND, AND IS SUBJECT TO
ALL OTHER TERMS AND CONDITIONS
OF ANY WRITTEN AGREEMENT OR
PURCHASE ORDER WHICH
INCORPORATES OR RELATES TO
THIS DRAWING.

REV	DESCRIPTION	ECO	DRAWN	DATE	DESIGN	UNIT TYPE
B	ADDED TT01 AND MT01 FOR WEATHER STATION	11332	DL	09/12/13	JSR	
A	ORIGINAL ISSUE	06877	FR	11/01/12	OG	
REVISIONS						

THIRD ANGLE
PROJECTION

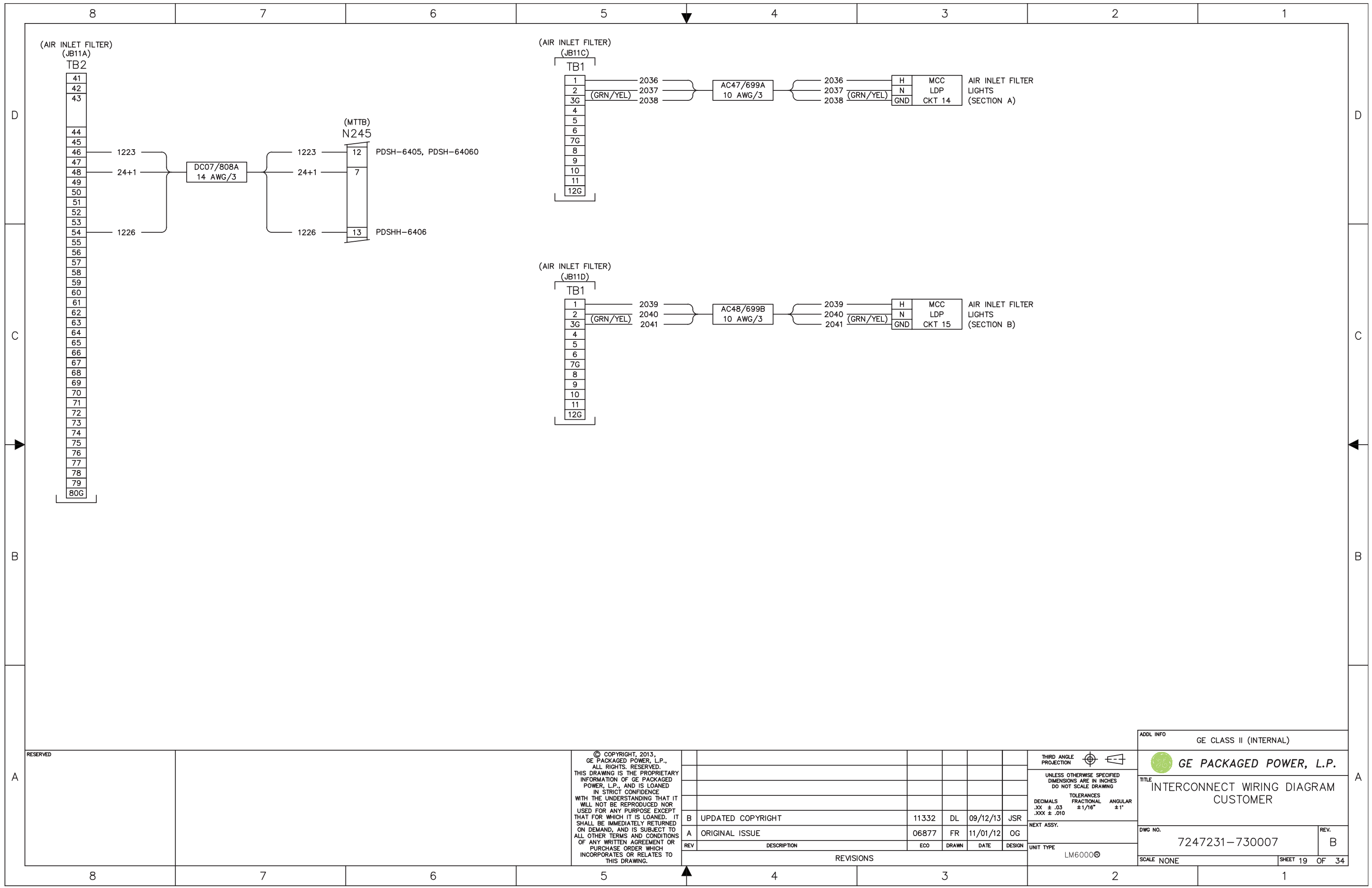
UNLESS OTHERWISE SPECIFIED
DIMENSIONS ARE IN INCHES
DO NOT SCALE DRAWING

TOLERANCES
DECIMALS .XX ± .03
.XXX ± .010
FRACTIONAL ± 1/16"
ANGULAR ± 1°

NEXT ASSY.
LM6000®

ADDL INFO	GE CLASS II (INTERNAL)
GE PACKAGED POWER, L.P.	
TITLE INTERCONNECT WIRING DIAGRAM CUSTOMER	
DWG NO. 7247231-730007	REV. B
SCALE NONE	SHEET 18 OF 34

RESERVED



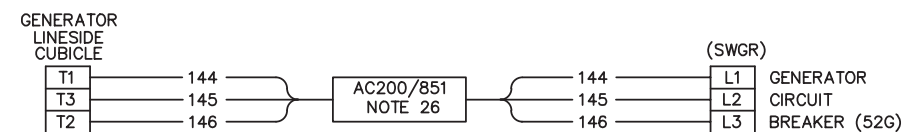
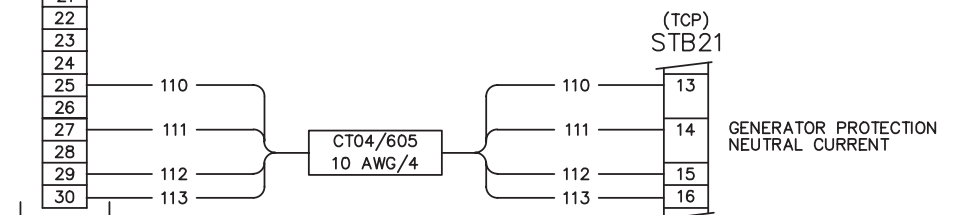
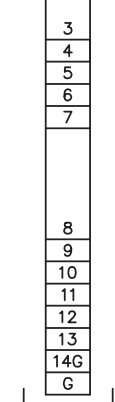
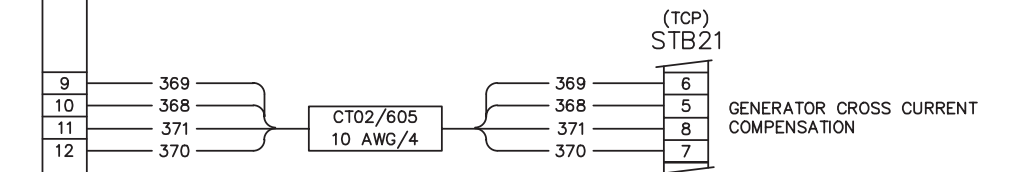
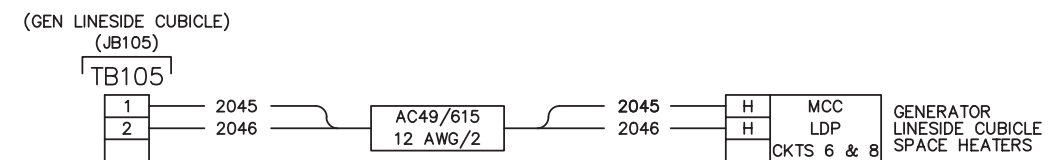
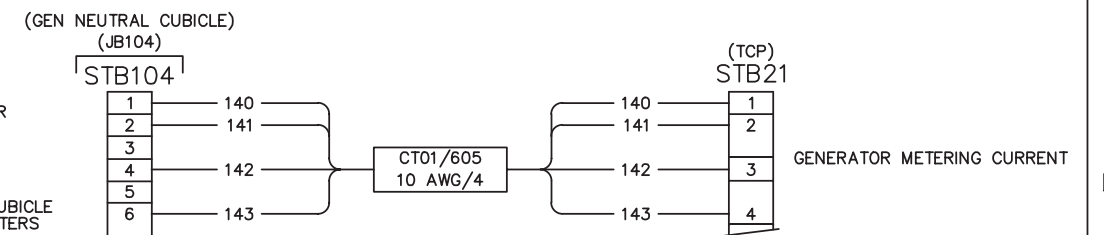
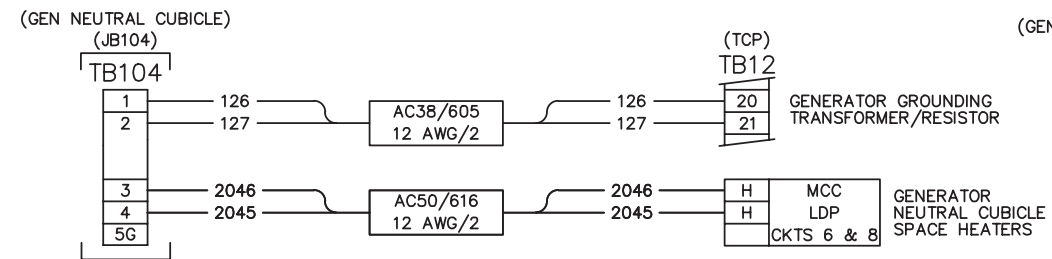
© COPYRIGHT, 2013,
 GE PACKAGED POWER, L.P.,
 ALL RIGHTS RESERVED.
 THIS DRAWING IS THE PROPRIETARY
 INFORMATION OF GE PACKAGED
 POWER, L.P., AND IS LOANED
 IN STRICT CONFIDENCE
 WITH THE UNDERSTANDING THAT IT
 WILL NOT BE REPRODUCED NOR
 USED FOR ANY PURPOSE EXCEPT
 THAT FOR WHICH IT IS LOANED. IT
 SHALL BE IMMEDIATELY RETURNED
 ON DEMAND, AND IS SUBJECT TO
 ALL OTHER TERMS AND CONDITIONS
 OF ANY WRITTEN AGREEMENT OR
 PURCHASE ORDER WHICH
 INCORPORATES OR RELATES TO
 THIS DRAWING.

REV	DESCRIPTION	ECO	DRAWN	DATE	DESIGN
B	UPDATED COPYRIGHT	11332	DL	09/12/13	JSR
A	ORIGINAL ISSUE	06877	FR	11/01/12	OG

THIRD ANGLE PROJECTION	
UNLESS OTHERWISE SPECIFIED DIMENSIONS ARE IN INCHES DO NOT SCALE DRAWING	
DECIMALS .XX ± .03 .XXX ± .010	TOLERANCES FRACTIONAL ±1/16"
ANGULAR ±1°	
NEXT ASSY.	
UNIT TYPE LM6000®	

ADDL INFO	GE CLASS II (INTERNAL)
	GE PACKAGED POWER, L.P.
TITLE	INTERCONNECT WIRING DIAGRAM CUSTOMER
DWG NO.	7247231-730007
REV.	B
SCALE	NONE
SHEET	19 OF 34

RESERVED



RESERVED

© COPYRIGHT, 2013, GE PACKAGED POWER, L.P., ALL RIGHTS RESERVED. THIS DRAWING IS THE PROPRIETARY INFORMATION OF GE PACKAGED POWER, L.P., AND IS LOANED IN STRICT CONFIDENCE WITH THE UNDERSTANDING THAT IT WILL NOT BE REPRODUCED NOR USED FOR ANY PURPOSE EXCEPT THAT FOR WHICH IT IS LOANED. IT SHALL BE IMMEDIATELY RETURNED ON DEMAND, AND IS SUBJECT TO ALL OTHER TERMS AND CONDITIONS OF ANY WRITTEN AGREEMENT OR PURCHASE ORDER WHICH INCORPORATES OR RELATES TO THIS DRAWING.

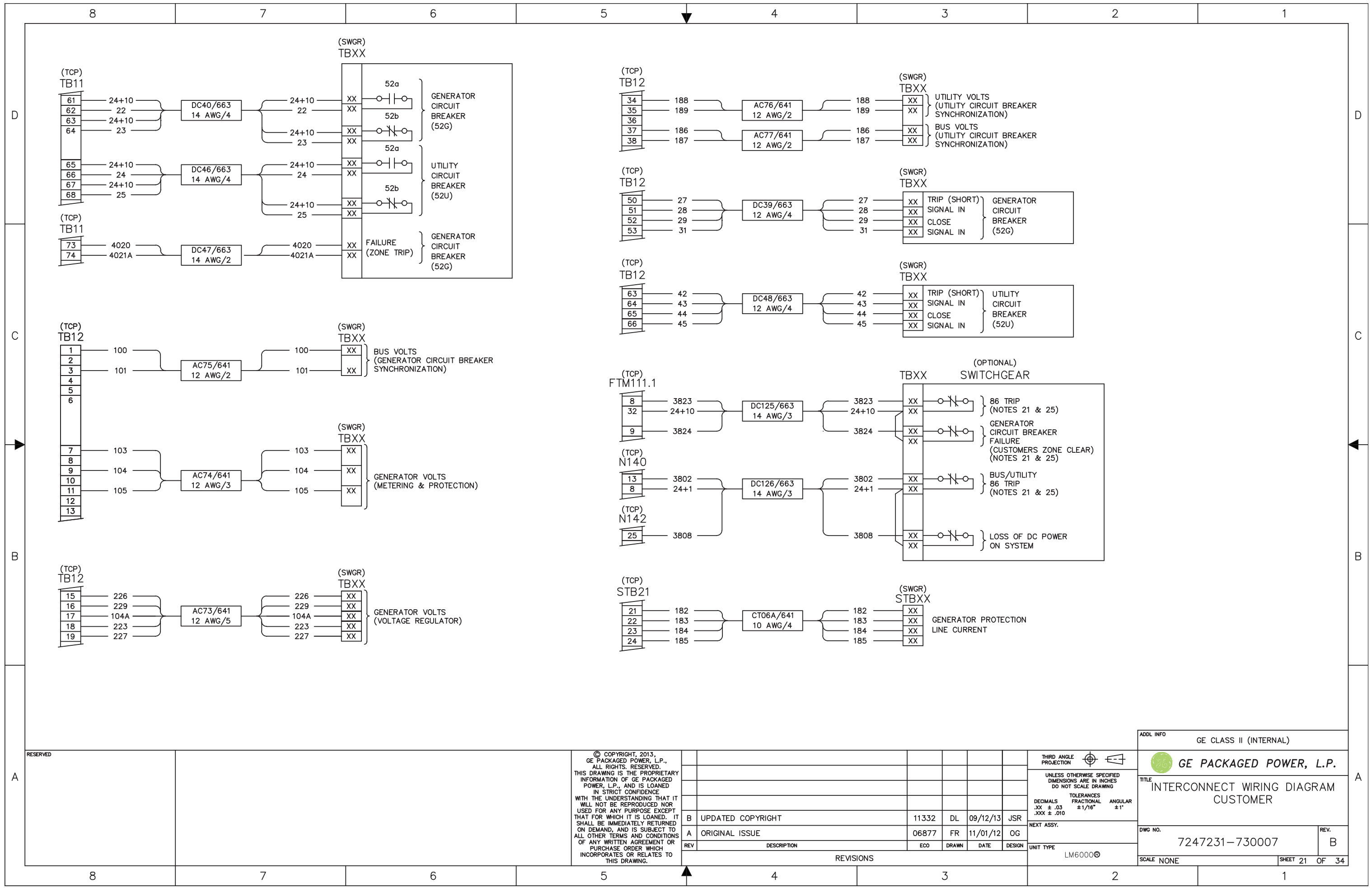
REV	DESCRIPTION	ECO	DRAWN	DATE	DESIGN
B	UPDATED COPYRIGHT	11332	DL	09/12/13	JSR
A	ORIGINAL ISSUE	06877	FR	11/01/12	OG

THIRD ANGLE PROJECTION	
UNLESS OTHERWISE SPECIFIED DIMENSIONS ARE IN INCHES DO NOT SCALE DRAWING	
DECIMALS .XX ± .03	FRACTIONAL ± 1/16"
.XXX ± .010	ANGULAR ± 1°
NEXT ASSY.	
UNIT TYPE LM6000®	

ADDL INFO	GE CLASS II (INTERNAL)
	GE PACKAGED POWER, L.P.
TITLE	INTERCONNECT WIRING DIAGRAM CUSTOMER
DWG NO.	7247231-730007
SCALE	NONE
SHEET	20 OF 34

A

A



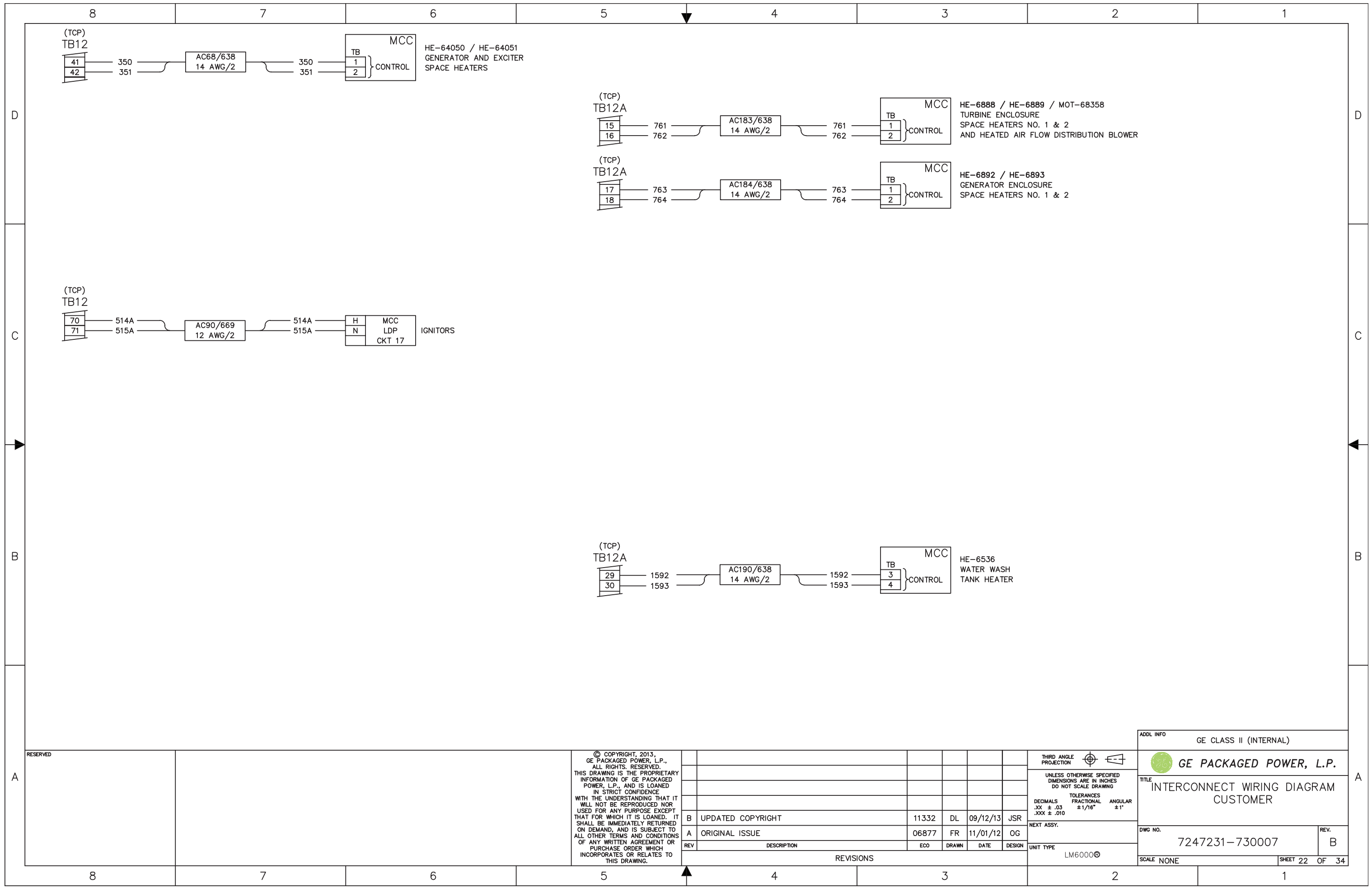
© COPYRIGHT, 2013, GE PACKAGED POWER, L.P., ALL RIGHTS RESERVED. THIS DRAWING IS THE PROPRIETARY INFORMATION OF GE PACKAGED POWER, L.P., AND IS LOANED IN STRICT CONFIDENCE WITH THE UNDERSTANDING THAT IT WILL NOT BE REPRODUCED NOR USED FOR ANY PURPOSE EXCEPT THAT FOR WHICH IT IS LOANED. IT SHALL BE IMMEDIATELY RETURNED ON DEMAND, AND IS SUBJECT TO ALL OTHER TERMS AND CONDITIONS OF ANY WRITTEN AGREEMENT OR PURCHASE ORDER WHICH INCORPORATES OR RELATES TO THIS DRAWING.

REV	DESCRIPTION	ECO	DRAWN	DATE	DESIGN
B	UPDATED COPYRIGHT	11332	DL	09/12/13	JSR
A	ORIGINAL ISSUE	06877	FR	11/01/12	OG

THIRD ANGLE PROJECTION	
UNLESS OTHERWISE SPECIFIED DIMENSIONS ARE IN INCHES DO NOT SCALE DRAWING	
DECIMALS .XX ± .03	FRACTIONAL ± 1/16"
.XXX ± .010	ANGULAR ± 1°
NEXT ASSY. LM6000	

ADDL INFO	GE CLASS II (INTERNAL)
	GE PACKAGED POWER, L.P.
TITLE	INTERCONNECT WIRING DIAGRAM CUSTOMER
DWG NO.	7247231-730007
SCALE	NONE
SHEET	21 OF 34

RESERVED



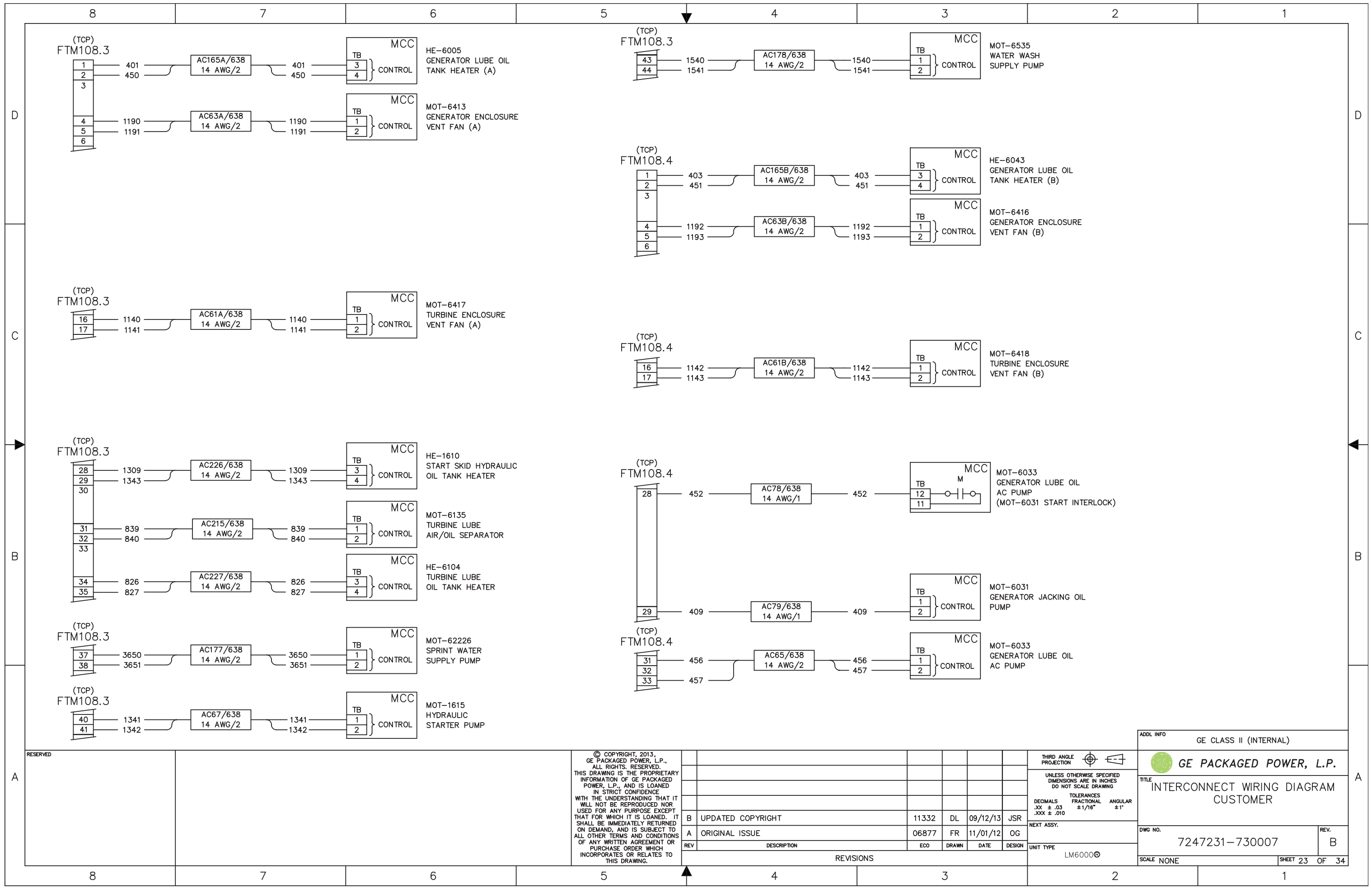
RESERVED

© COPYRIGHT, 2013,
 GE PACKAGED POWER, L.P.,
 ALL RIGHTS RESERVED.
 THIS DRAWING IS THE PROPRIETARY
 INFORMATION OF GE PACKAGED
 POWER, L.P., AND IS LOANED
 IN STRICT CONFIDENCE
 WITH THE UNDERSTANDING THAT IT
 WILL NOT BE REPRODUCED NOR
 USED FOR ANY PURPOSE EXCEPT
 THAT FOR WHICH IT IS LOANED. IT
 SHALL BE IMMEDIATELY RETURNED
 ON DEMAND, AND IS SUBJECT TO
 ALL OTHER TERMS AND CONDITIONS
 OF ANY WRITTEN AGREEMENT OR
 PURCHASE ORDER WHICH
 INCORPORATES OR RELATES TO
 THIS DRAWING.

REV	DESCRIPTION	ECO	DRAWN	DATE	DESIGN	UNIT TYPE
B	UPDATED COPYRIGHT	11332	DL	09/12/13	JSR	
A	ORIGINAL ISSUE	06877	FR	11/01/12	OG	
REVISIONS						

THIRD ANGLE PROJECTION		
UNLESS OTHERWISE SPECIFIED DIMENSIONS ARE IN INCHES DO NOT SCALE DRAWING		
DECIMALS .XX ± .03 .XXX ± .010	TOLERANCES FRACTIONAL ±1/16"	ANGULAR ±1°
NEXT ASSY.		
LM6000®		

ADDL INFO		GE CLASS II (INTERNAL)	
GE PACKAGED POWER, L.P.			
TITLE INTERCONNECT WIRING DIAGRAM CUSTOMER			
DWG NO.	7247231-730007		REV. B
SCALE NONE		SHEET 22 OF 34	



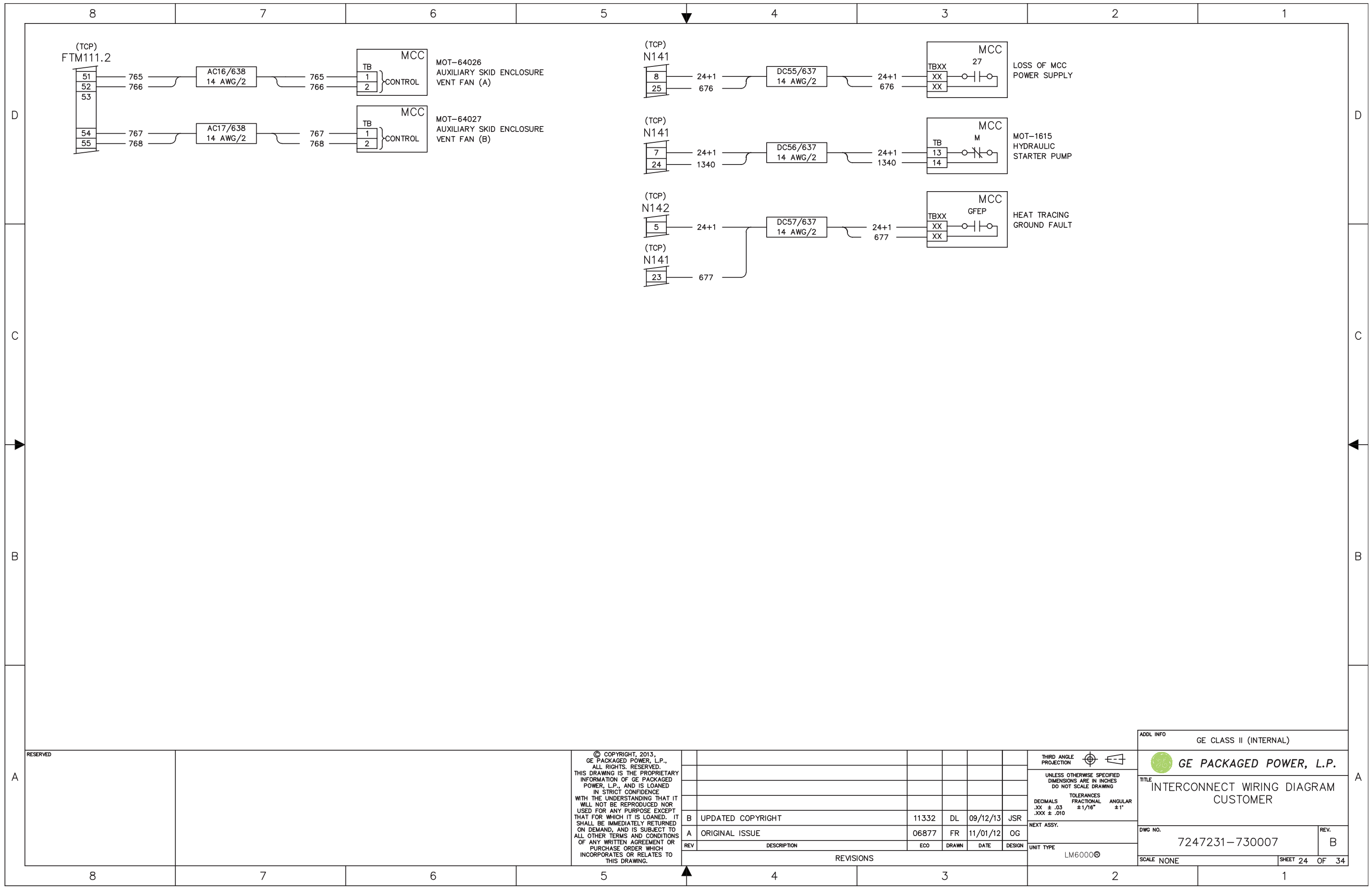
© COPYRIGHT, 2013, GE PACKAGED POWER, L.P., ALL RIGHTS RESERVED. THIS DRAWING IS THE PROPRIETARY INFORMATION OF GE PACKAGED POWER, L.P., AND IS LOANED IN STRICT CONFIDENCE WITH THE UNDERSTANDING THAT IT WILL NOT BE REPRODUCED NOR USED FOR ANY PURPOSE EXCEPT THAT FOR WHICH IT IS LOANED. IT SHALL BE IMMEDIATELY RETURNED ON DEMAND, AND IS SUBJECT TO ALL OTHER TERMS AND CONDITIONS OF ANY WRITTEN AGREEMENT OR PURCHASE ORDER WHICH INCORPORATES OR RELATES TO THIS DRAWING.

REV	DESCRIPTION	ECO	DRAWN	DATE	DESIGN	UNIT TYPE
B	UPDATED COPYRIGHT	11332	DL	09/12/13	JSR	
A	ORIGINAL ISSUE	06877	FR	11/01/12	OG	
REVISIONS						

THIRD ANGLE PROJECTION	
UNLESS OTHERWISE SPECIFIED DIMENSIONS ARE IN INCHES DO NOT SCALE DRAWING	
DECIMALS .XX ± .03	FRACTIONAL ± 1/16"
ANGULAR ± 1°	
NEXT ASSY. LM6000®	

ADDL INFO	GE CLASS II (INTERNAL)
	GE PACKAGED POWER, L.P.
TITLE	INTERCONNECT WIRING DIAGRAM CUSTOMER
DWG NO.	7247231-730007
SCALE	NONE
SHEET	23 OF 34

RESERVED



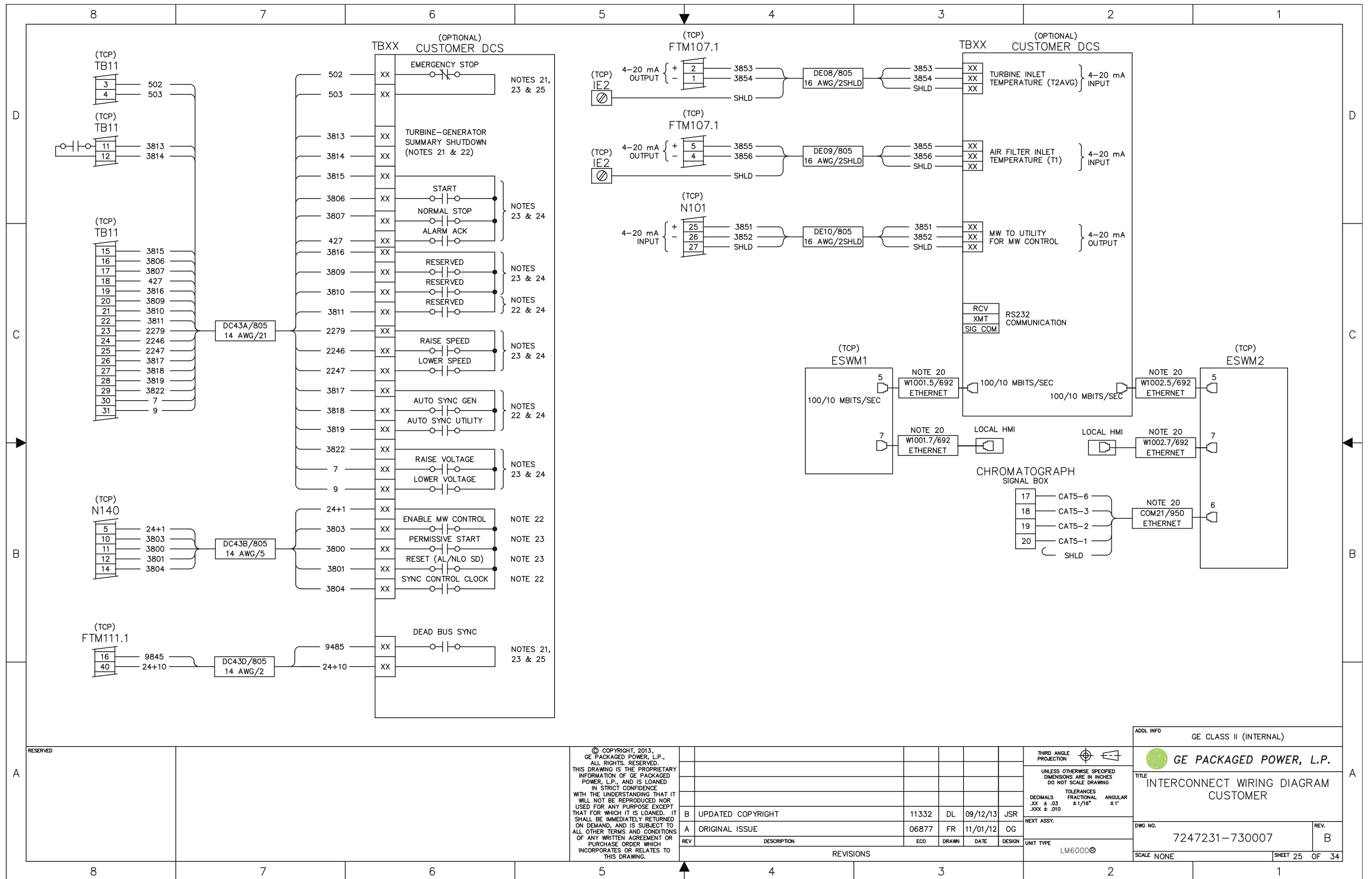
© COPYRIGHT, 2013,
 GE PACKAGED POWER, L.P.,
 ALL RIGHTS RESERVED.
 THIS DRAWING IS THE PROPRIETARY
 INFORMATION OF GE PACKAGED
 POWER, L.P., AND IS LOANED
 IN STRICT CONFIDENCE
 WITH THE UNDERSTANDING THAT IT
 WILL NOT BE REPRODUCED NOR
 USED FOR ANY PURPOSE EXCEPT
 THAT FOR WHICH IT IS LOANED. IT
 SHALL BE IMMEDIATELY RETURNED
 ON DEMAND, AND IS SUBJECT TO
 ALL OTHER TERMS AND CONDITIONS
 OF ANY WRITTEN AGREEMENT OR
 PURCHASE ORDER WHICH
 INCORPORATES OR RELATES TO
 THIS DRAWING.

REV	DESCRIPTION	ECO	DRAWN	DATE	DESIGN	UNIT TYPE
B	UPDATED COPYRIGHT	11332	DL	09/12/13	JSR	
A	ORIGINAL ISSUE	06877	FR	11/01/12	OG	
REVISIONS						

THIRD ANGLE PROJECTION	
UNLESS OTHERWISE SPECIFIED DIMENSIONS ARE IN INCHES DO NOT SCALE DRAWING	
DECIMALS .XX ± .03 .XXX ± .010	TOLERANCES FRACTIONAL ±1/16"
	ANGULAR ±1°
NEXT ASSY. LM6000®	

ADDL INFO	GE CLASS II (INTERNAL)
	GE PACKAGED POWER, L.P.
TITLE	INTERCONNECT WIRING DIAGRAM CUSTOMER
DWG NO.	7247231-730007
SCALE	NONE
SHEET	24 OF 34

RESERVED



© COPYRIGHT, 2013, GE PACKAGED POWER, L.P., ALL RIGHTS RESERVED. THIS DRAWING IS THE PROPRIETARY INFORMATION OF GE PACKAGED POWER, L.P., AND IS LOANED IN STRICT CONFIDENCE. WITH THE UNDERSTANDING THAT IT WILL NOT BE REPRODUCED NOR USED FOR ANY PURPOSE EXCEPT THAT FOR WHICH IT IS LOANED, IT SHALL BE IMMEDIATELY RETURNED ON DEMAND, AND IS SUBJECT TO ALL OTHER TERMS AND CONDITIONS OF ANY WRITTEN AGREEMENT OR PURCHASE ORDER WHICH INCORPORATES OR RELATES TO THIS DRAWING.

REV	DESCRIPTION	ECO	DRAWN	DATE	DESIGN	UNIT TYPE
B	UPDATED COPYRIGHT	11332	DL	09/12/13	JSR	
A	ORIGINAL ISSUE	06877	FR	11/01/12	OG	
REVISIONS						

THIRD ANGLE PROJECTION

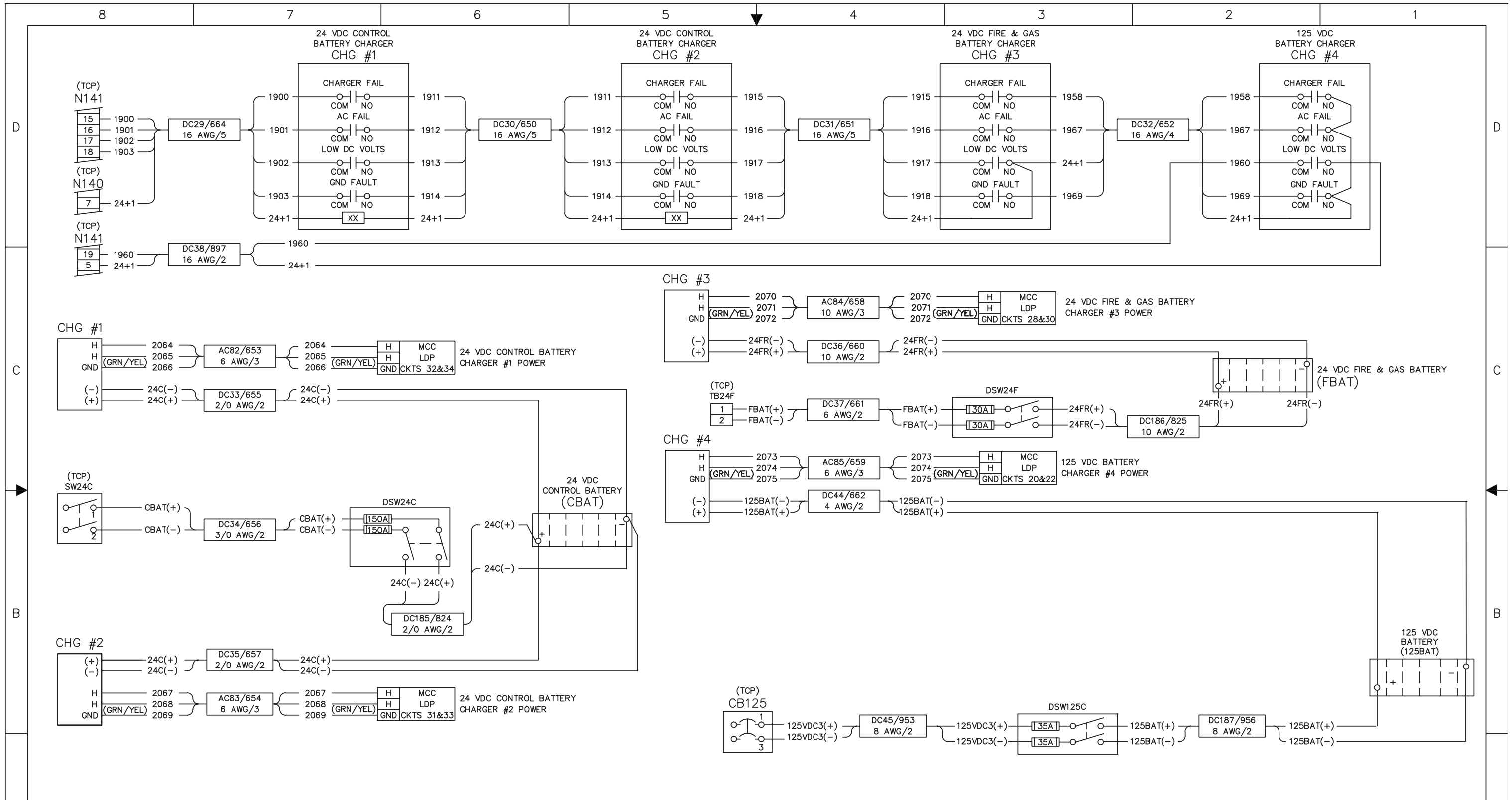
UNLESS OTHERWISE SPECIFIED DIMENSIONS ARE IN INCHES DO NOT SCALE DRAWING

TOLERANCES
 DECIMALS .XX ± .03
 FRACTIONAL .XXX ± .010
 ANGULAR ± 1'

NEXT ASSY.

LM6000

ADDL INFO	GE CLASS II (INTERNAL)	
TITLE	INTERCONNECT WIRING DIAGRAM CUSTOMER	
DWG NO.	7247231-730007	REV. B
SCALE	NONE	SHEET 25 OF 34



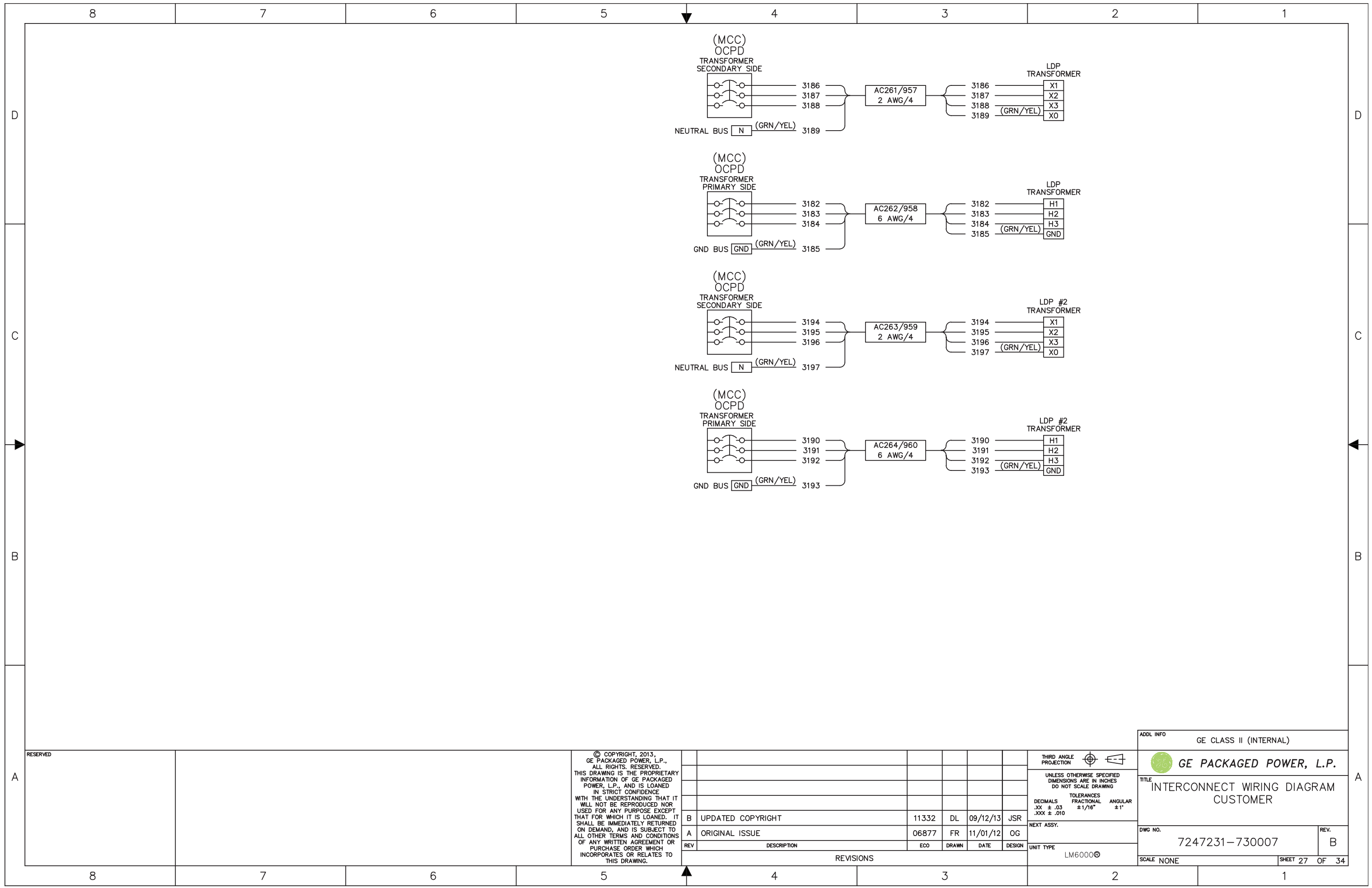
© COPYRIGHT, 2013, GE PACKAGED POWER, L.P., ALL RIGHTS RESERVED. THIS DRAWING IS THE PROPRIETARY INFORMATION OF GE PACKAGED POWER, L.P., AND IS LOANED IN STRICT CONFIDENCE WITH THE UNDERSTANDING THAT IT WILL NOT BE REPRODUCED NOR USED FOR ANY PURPOSE EXCEPT THAT FOR WHICH IT IS LOANED. IT SHALL BE IMMEDIATELY RETURNED ON DEMAND, AND IS SUBJECT TO ALL OTHER TERMS AND CONDITIONS OF ANY WRITTEN AGREEMENT OR PURCHASE ORDER WHICH INCORPORATES OR RELATES TO THIS DRAWING.

REV	DESCRIPTION	ECO	DRAWN	DATE	DESIGN
B	UPDATED COPYRIGHT	11332	DL	09/12/13	JSR
A	ORIGINAL ISSUE	06877	FR	11/01/12	OG

THIRD ANGLE PROJECTION	
UNLESS OTHERWISE SPECIFIED DIMENSIONS ARE IN INCHES DO NOT SCALE DRAWING	
DECIMALS .XX ± .03	FRACTIONAL 1/16" ± 1/64"
ANGULAR ± 1°	
NEXT ASSY.	
UNIT TYPE LM6000®	

ADDL INFO	GE CLASS II (INTERNAL)
	GE PACKAGED POWER, L.P.
TITLE	INTERCONNECT WIRING DIAGRAM CUSTOMER
DWG NO.	7247231-730007
SCALE	NONE
SHEET	26 OF 34

RESERVED



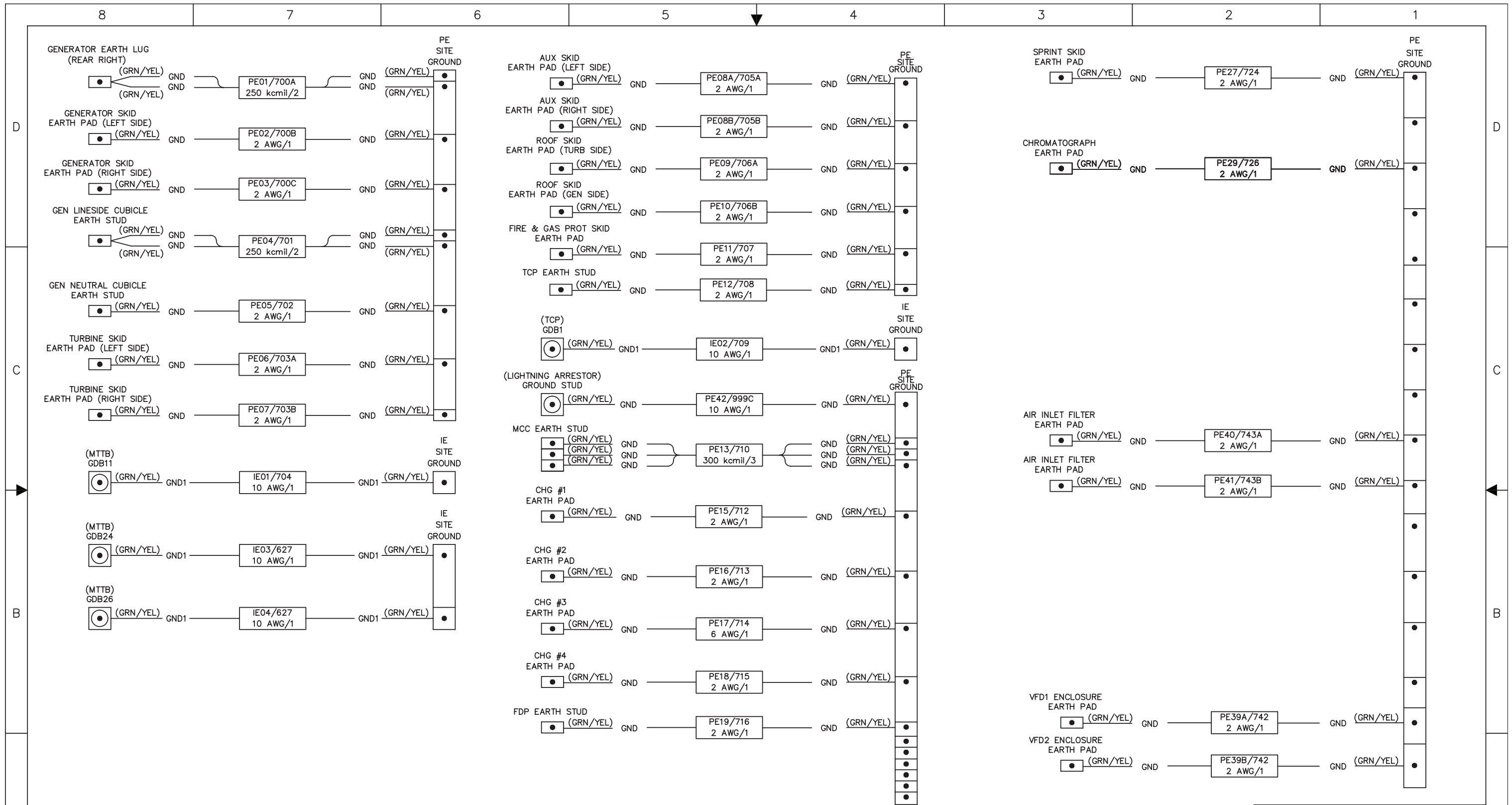
© COPYRIGHT, 2013, GE PACKAGED POWER, L.P., ALL RIGHTS RESERVED. THIS DRAWING IS THE PROPRIETARY INFORMATION OF GE PACKAGED POWER, L.P., AND IS LOANED IN STRICT CONFIDENCE WITH THE UNDERSTANDING THAT IT WILL NOT BE REPRODUCED NOR USED FOR ANY PURPOSE EXCEPT THAT FOR WHICH IT IS LOANED. IT SHALL BE IMMEDIATELY RETURNED ON DEMAND, AND IS SUBJECT TO ALL OTHER TERMS AND CONDITIONS OF ANY WRITTEN AGREEMENT OR PURCHASE ORDER WHICH INCORPORATES OR RELATES TO THIS DRAWING.

REV	DESCRIPTION	ECO	DRAWN	DATE	DESIGN	UNIT TYPE
B	UPDATED COPYRIGHT	11332	DL	09/12/13	JSR	
A	ORIGINAL ISSUE	06877	FR	11/01/12	OG	
REVISIONS						

THIRD ANGLE PROJECTION	
UNLESS OTHERWISE SPECIFIED DIMENSIONS ARE IN INCHES DO NOT SCALE DRAWING	
DECIMALS .XX ± .03 .XXX ± .010	TOLERANCES FRACTIONAL ± 1/16"
ANGULAR ± 1°	
NEXT ASSY.	
LM6000®	

ADDL INFO	GE CLASS II (INTERNAL)
	GE PACKAGED POWER, L.P.
TITLE	INTERCONNECT WIRING DIAGRAM CUSTOMER
DWG NO.	7247231-730007
SCALE	NONE
SHEET	27 OF 34

RESERVED



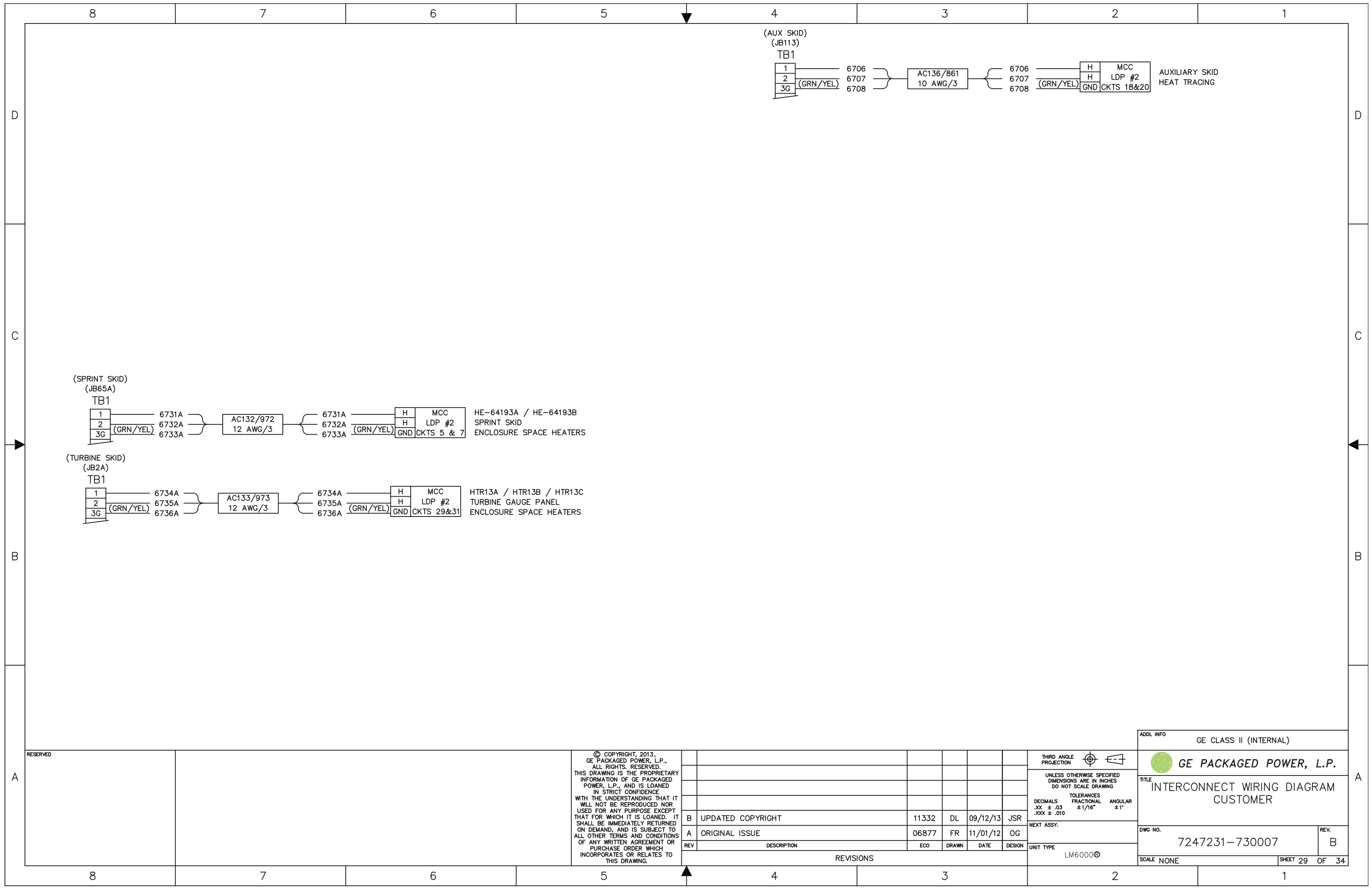
© COPYRIGHT, 2013,
 GE PACKAGED POWER, L.P.,
 ALL RIGHTS RESERVED.
 THIS DRAWING IS THE PROPRIETARY
 INFORMATION OF GE PACKAGED
 POWER, L.P., AND IS LOANED
 IN STRICT CONFIDENCE
 WITH THE UNDERSTANDING THAT IT
 WILL NOT BE REPRODUCED NOR
 USED FOR ANY PURPOSE EXCEPT
 THAT FOR WHICH IT IS LOANED. IT
 SHALL BE IMMEDIATELY RETURNED
 ON DEMAND, AND IS SUBJECT TO
 ALL OTHER TERMS AND CONDITIONS
 OF ANY WRITTEN AGREEMENT OR
 PURCHASE ORDER WHICH
 INCORPORATES OR RELATES TO
 THIS DRAWING.

REV	DESCRIPTION	ECO	DRAWN	DATE	DESIGN	UNIT TYPE
B	ADDED GDB24 AND GDB26	11332	DL	09/12/13	JSR	
A	ORIGINAL ISSUE	06877	FR	11/01/12	OG	
REVISIONS						

THIRD ANGLE PROJECTION	
UNLESS OTHERWISE SPECIFIED DIMENSIONS ARE IN INCHES DO NOT SCALE DRAWING	
DECIMALS .XX ± .03 .XXX ± .010	TOLERANCES FRACTIONAL ± 1/16"
ANGULAR ± 1°	
NEXT ASSY.	
LM6000®	

ADDL INFO	GE CLASS II (INTERNAL)
	GE PACKAGED POWER, L.P.
TITLE INTERCONNECT WIRING DIAGRAM CUSTOMER	
DWG NO. 7247231-730007	REV. B
SCALE NONE	SHEET 28 OF 34

RESERVED						
----------	--	--	--	--	--	--



RESERVED

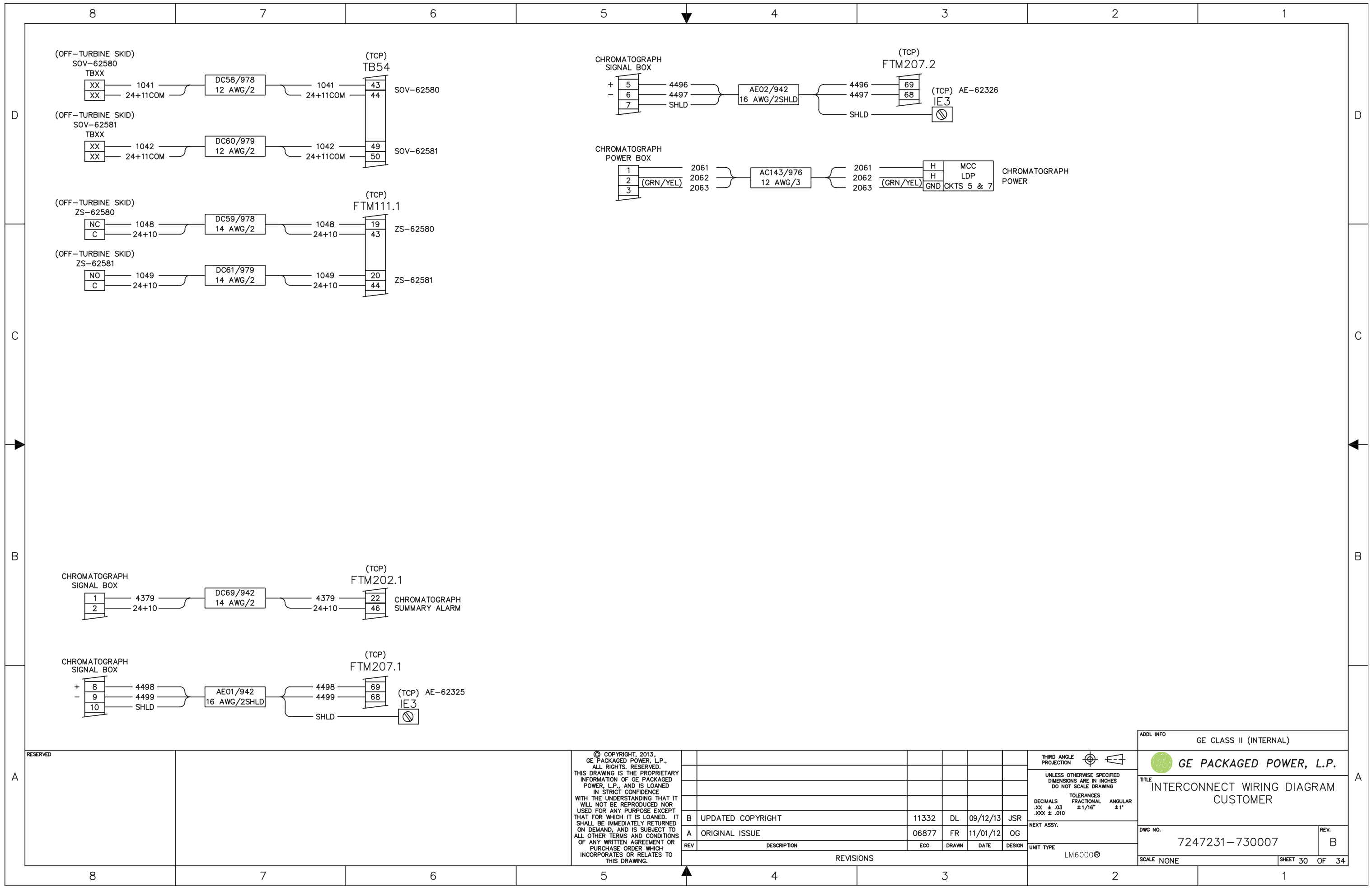
© COPYRIGHT, 2013,
 GE PACKAGED POWER, L.P.,
 ALL RIGHTS RESERVED.
 THIS DRAWING IS THE PROPRIETARY
 INFORMATION OF GE PACKAGED
 POWER, L.P., AND IS LOANED
 IN STRICT CONFIDENCE
 WITH THE UNDERSTANDING THAT IT
 WILL NOT BE REPRODUCED NOR
 USED FOR ANY PURPOSE EXCEPT
 THAT FOR WHICH IT IS LOANED. IT
 SHALL BE IMMEDIATELY RETURNED
 ON DEMAND, AND IS SUBJECT TO
 ALL OTHER TERMS AND CONDITIONS
 OF ANY WRITTEN AGREEMENT OR
 PURCHASE ORDER WHICH
 INCORPORATES OR RELATES TO
 THIS DRAWING.

REV	DESCRIPTION	ECO	DRAWN	DATE	DESIGN
B	UPDATED COPYRIGHT	11332	DL	09/12/13	JSR
A	ORIGINAL ISSUE	06877	FR	11/01/12	OG

THIRD ANGLE PROJECTION	
UNLESS OTHERWISE SPECIFIED DIMENSIONS ARE IN INCHES DO NOT SCALE DRAWING	
DECIMALS .XX ± .03 .XXX ± .010	TOLERANCES FRACTIONAL ±1/16"
ANGULAR ±1°	
NEXT ASSY.	
UNIT TYPE LM6000®	

ADDL INFO	GE CLASS II (INTERNAL)
	GE PACKAGED POWER, L.P.
TITLE	INTERCONNECT WIRING DIAGRAM CUSTOMER
DWG NO.	7247231-730007
SCALE	NONE
SHEET	29 OF 34

REV. B



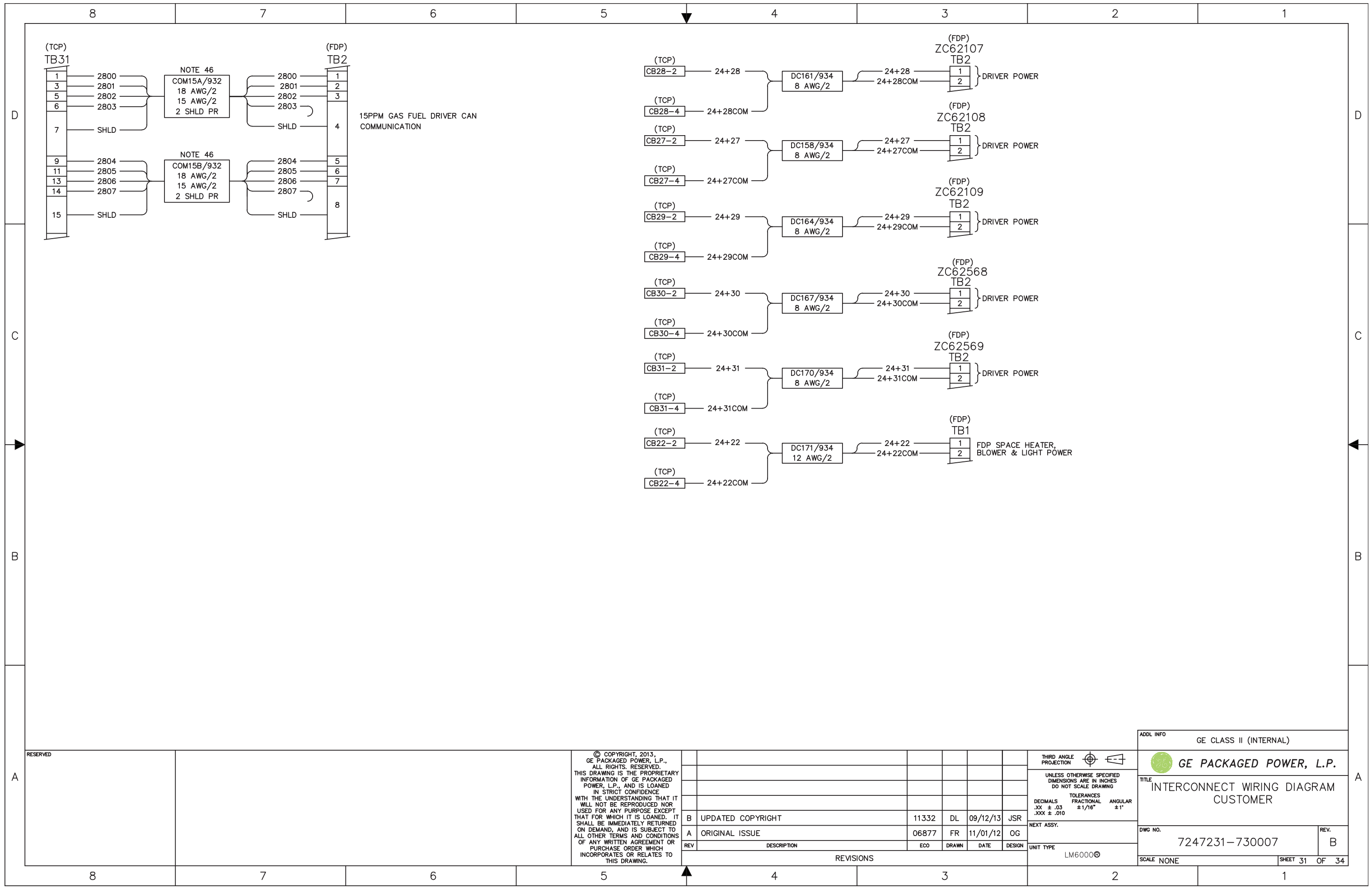
© COPYRIGHT, 2013,
 GE PACKAGED POWER, L.P.,
 ALL RIGHTS RESERVED.
 THIS DRAWING IS THE PROPRIETARY
 INFORMATION OF GE PACKAGED
 POWER, L.P., AND IS LOANED
 IN STRICT CONFIDENCE
 WITH THE UNDERSTANDING THAT IT
 WILL NOT BE REPRODUCED NOR
 USED FOR ANY PURPOSE EXCEPT
 THAT FOR WHICH IT IS LOANED. IT
 SHALL BE IMMEDIATELY RETURNED
 ON DEMAND, AND IS SUBJECT TO
 ALL OTHER TERMS AND CONDITIONS
 OF ANY WRITTEN AGREEMENT OR
 PURCHASE ORDER WHICH
 INCORPORATES OR RELATES TO
 THIS DRAWING.

REV	DESCRIPTION	ECO	DRAWN	DATE	DESIGN
B	UPDATED COPYRIGHT	11332	DL	09/12/13	JSR
A	ORIGINAL ISSUE	06877	FR	11/01/12	OG

THIRD ANGLE PROJECTION	
UNLESS OTHERWISE SPECIFIED DIMENSIONS ARE IN INCHES DO NOT SCALE DRAWING	
DECIMALS .XX ± .03	TOLERANCES FRACTIONAL ±1/16"
.XXX ± .010	ANGULAR ±1°
NEXT ASSY.	
UNIT TYPE LM6000®	

ADDL INFO	GE CLASS II (INTERNAL)
	GE PACKAGED POWER, L.P.
TITLE	INTERCONNECT WIRING DIAGRAM CUSTOMER
DWG NO.	7247231-730007
SCALE	NONE
SHEET	30 OF 34

RESERVED



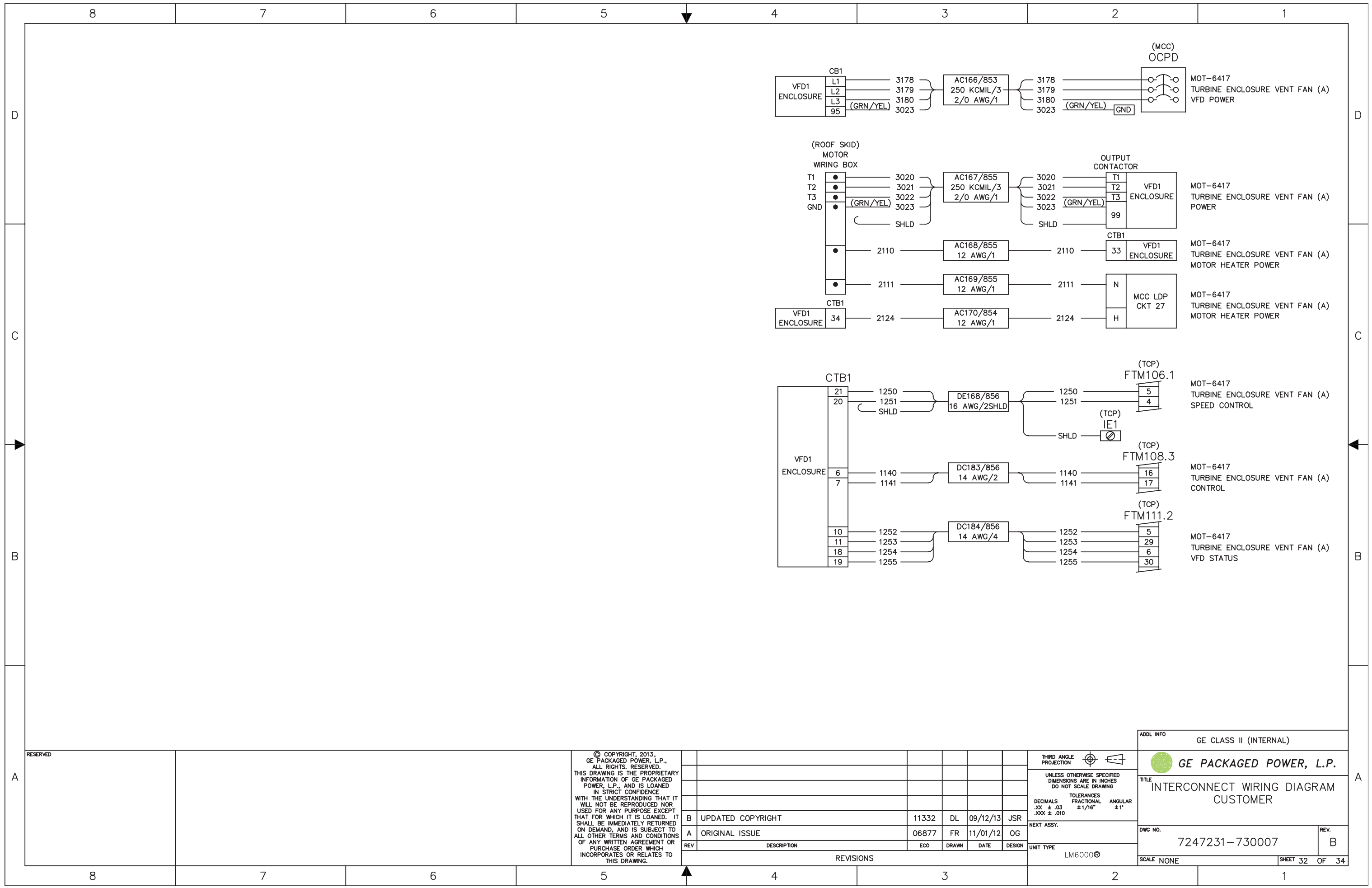
© COPYRIGHT, 2013,
GE PACKAGED POWER, L.P.,
ALL RIGHTS RESERVED.
THIS DRAWING IS THE PROPRIETARY
INFORMATION OF GE PACKAGED
POWER, L.P., AND IS LOANED
IN STRICT CONFIDENCE
WITH THE UNDERSTANDING THAT IT
WILL NOT BE REPRODUCED NOR
USED FOR ANY PURPOSE EXCEPT
THAT FOR WHICH IT IS LOANED. IT
SHALL BE IMMEDIATELY RETURNED
ON DEMAND, AND IS SUBJECT TO
ALL OTHER TERMS AND CONDITIONS
OF ANY WRITTEN AGREEMENT OR
PURCHASE ORDER WHICH
INCORPORATES OR RELATES TO
THIS DRAWING.

REV	DESCRIPTION	ECO	DRAWN	DATE	DESIGN	UNIT TYPE
B	UPDATED COPYRIGHT	11332	DL	09/12/13	JSR	
A	ORIGINAL ISSUE	06877	FR	11/01/12	OG	
REVISIONS						

THIRD ANGLE PROJECTION	
UNLESS OTHERWISE SPECIFIED DIMENSIONS ARE IN INCHES DO NOT SCALE DRAWING	
DECIMALS .XX ± .03 .XXX ± .010	TOLERANCES FRACTIONAL ±1/16"
ANGULAR ±1°	
NEXT ASSY.	
LM6000®	

ADDL INFO	GE CLASS II (INTERNAL)
	GE PACKAGED POWER, L.P.
TITLE	INTERCONNECT WIRING DIAGRAM CUSTOMER
DWG NO.	7247231-730007
SCALE	NONE
SHEET	31 OF 34

RESERVED



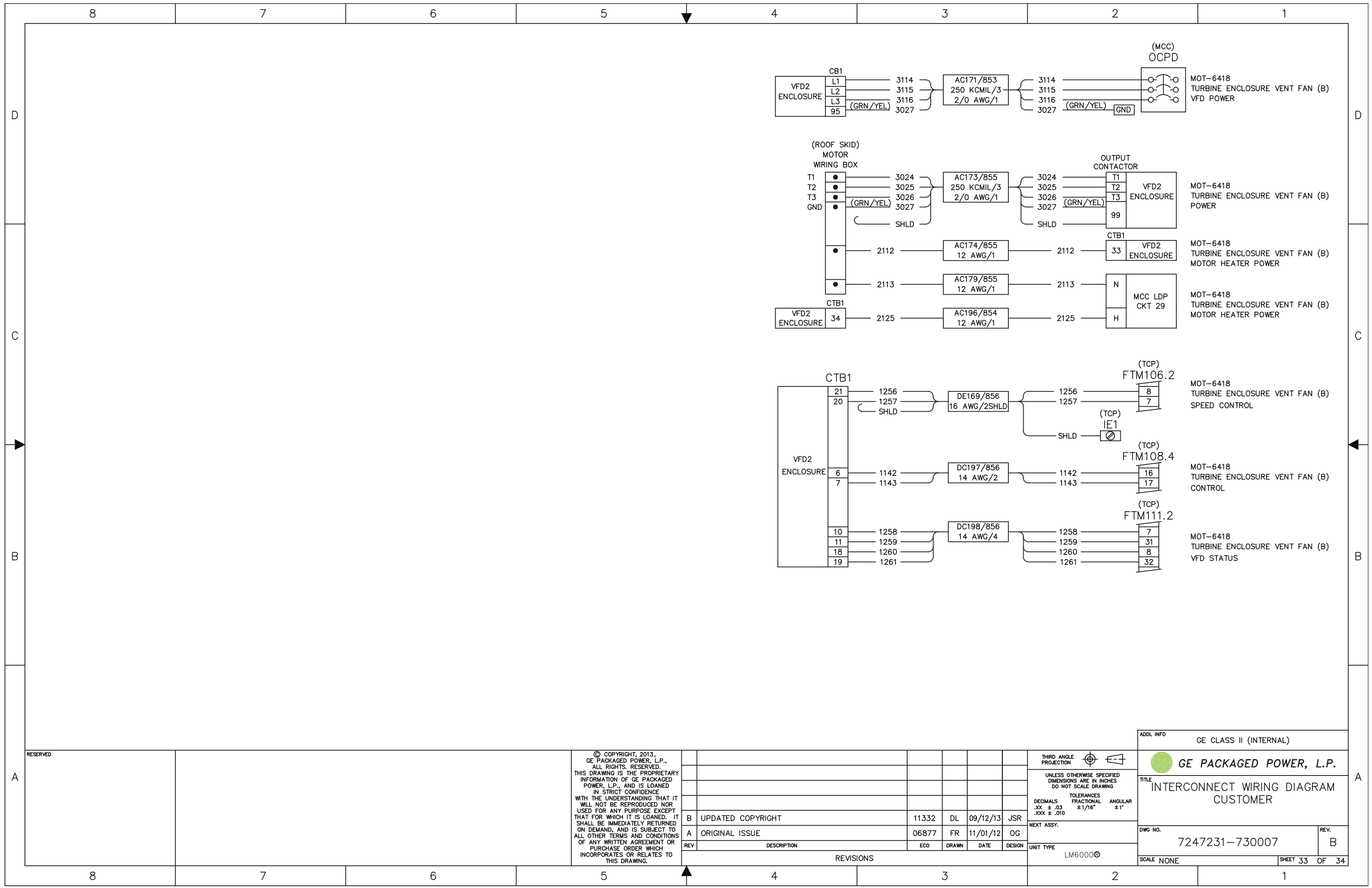
© COPYRIGHT, 2013,
 GE PACKAGED POWER, L.P.,
 ALL RIGHTS RESERVED.
 THIS DRAWING IS THE PROPRIETARY
 INFORMATION OF GE PACKAGED
 POWER, L.P., AND IS LOANED
 IN STRICT CONFIDENCE
 WITH THE UNDERSTANDING THAT IT
 WILL NOT BE REPRODUCED NOR
 USED FOR ANY PURPOSE EXCEPT
 THAT FOR WHICH IT IS LOANED. IT
 SHALL BE IMMEDIATELY RETURNED
 ON DEMAND, AND IS SUBJECT TO
 ALL OTHER TERMS AND CONDITIONS
 OF ANY WRITTEN AGREEMENT OR
 PURCHASE ORDER WHICH
 INCORPORATES OR RELATES TO
 THIS DRAWING.

REV	DESCRIPTION	ECO	DRAWN	DATE	DESIGN	UNIT TYPE
B	UPDATED COPYRIGHT	11332	DL	09/12/13	JSR	
A	ORIGINAL ISSUE	06877	FR	11/01/12	OG	

THIRD ANGLE
 PROJECTION
 UNLESS OTHERWISE SPECIFIED
 DIMENSIONS ARE IN INCHES
 DO NOT SCALE DRAWING
 TOLERANCES
 DECIMALS .XX ± .03
 .XXX ± .010
 FRACTIONAL ± 1/16"
 ANGULAR ± 1°
 NEXT ASSY.
 LM6000®

ADDL INFO	GE CLASS II (INTERNAL)
GE PACKAGED POWER, L.P.	
TITLE INTERCONNECT WIRING DIAGRAM CUSTOMER	
DWG NO.	7247231-730007
SCALE	NONE
SHEET	32 OF 34

RESERVED



© COPYRIGHT, 2013, GE PACKAGED POWER, L.P., ALL RIGHTS RESERVED. THIS DRAWING IS THE PROPRIETARY INFORMATION OF GE PACKAGED POWER, L.P., AND IS LOANED IN STRICT CONFIDENCE WITH THE UNDERSTANDING THAT IT WILL NOT BE REPRODUCED NOR USED FOR ANY PURPOSE EXCEPT THAT FOR WHICH IT IS LOANED. IT SHALL BE IMMEDIATELY RETURNED ON DEMAND, AND IS SUBJECT TO ALL OTHER TERMS AND CONDITIONS OF ANY WRITTEN AGREEMENT OR PURCHASE ORDER WHICH INCORPORATES OR RELATES TO THIS DRAWING.

REV	DESCRIPTION	ECO	DRAWN	DATE	DESIGN	UNIT TYPE
B	UPDATED COPYRIGHT	11332	DL	09/12/13	JSR	
A	ORIGINAL ISSUE	06877	FR	11/01/12	OG	
REVISIONS						

THIRD ANGLE PROJECTION

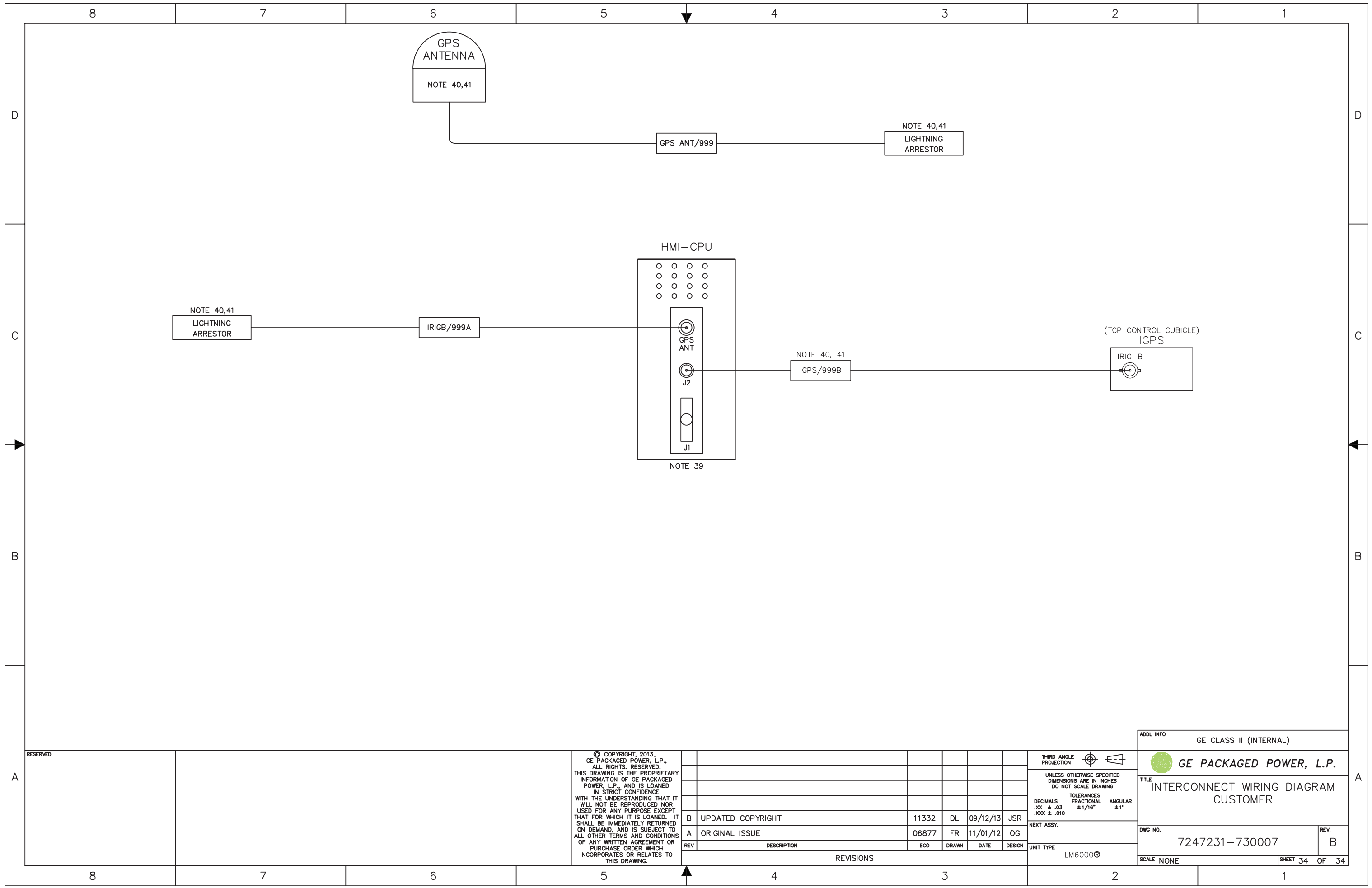
UNLESS OTHERWISE SPECIFIED DIMENSIONS ARE IN INCHES DO NOT SCALE DRAWING

TOLERANCES
 DECIMALS .XX ± .03
 FRACTIONAL ± 1/16"
 ANGULAR ± 1°

NEXT ASSY.

LM6000®

ADDL INFO	
GE CLASS II (INTERNAL)	
GE PACKAGED POWER, L.P.	
TITLE	
INTERCONNECT WIRING DIAGRAM	
CUSTOMER	
DWG NO.	REV.
7247231-730007	B
SCALE NONE	SHEET 33 OF 34



© COPYRIGHT, 2013,
 GE PACKAGED POWER, L.P.,
 ALL RIGHTS RESERVED.
 THIS DRAWING IS THE PROPRIETARY
 INFORMATION OF GE PACKAGED
 POWER, L.P., AND IS LOANED
 IN STRICT CONFIDENCE
 WITH THE UNDERSTANDING THAT IT
 WILL NOT BE REPRODUCED NOR
 USED FOR ANY PURPOSE EXCEPT
 THAT FOR WHICH IT IS LOANED. IT
 SHALL BE IMMEDIATELY RETURNED
 ON DEMAND, AND IS SUBJECT TO
 ALL OTHER TERMS AND CONDITIONS
 OF ANY WRITTEN AGREEMENT OR
 PURCHASE ORDER WHICH
 INCORPORATES OR RELATES TO
 THIS DRAWING.

REV	DESCRIPTION	ECO	DRAWN	DATE	DESIGN
B	UPDATED COPYRIGHT	11332	DL	09/12/13	JSR
A	ORIGINAL ISSUE	06877	FR	11/01/12	OG

THIRD ANGLE PROJECTION	
UNLESS OTHERWISE SPECIFIED DIMENSIONS ARE IN INCHES DO NOT SCALE DRAWING	
DECIMALS .XX ± .03 .XXX ± .010	TOLERANCES FRACTIONAL ±1/16"
	ANGULAR ±1°
NEXT ASSY.	
UNIT TYPE LM6000®	

ADDL INFO	GE CLASS II (INTERNAL)
	GE PACKAGED POWER, L.P.
TITLE	INTERCONNECT WIRING DIAGRAM CUSTOMER
DWG NO.	7247231-730007
REV.	B
SCALE	NONE
SHEET	34 OF 34

RESERVED